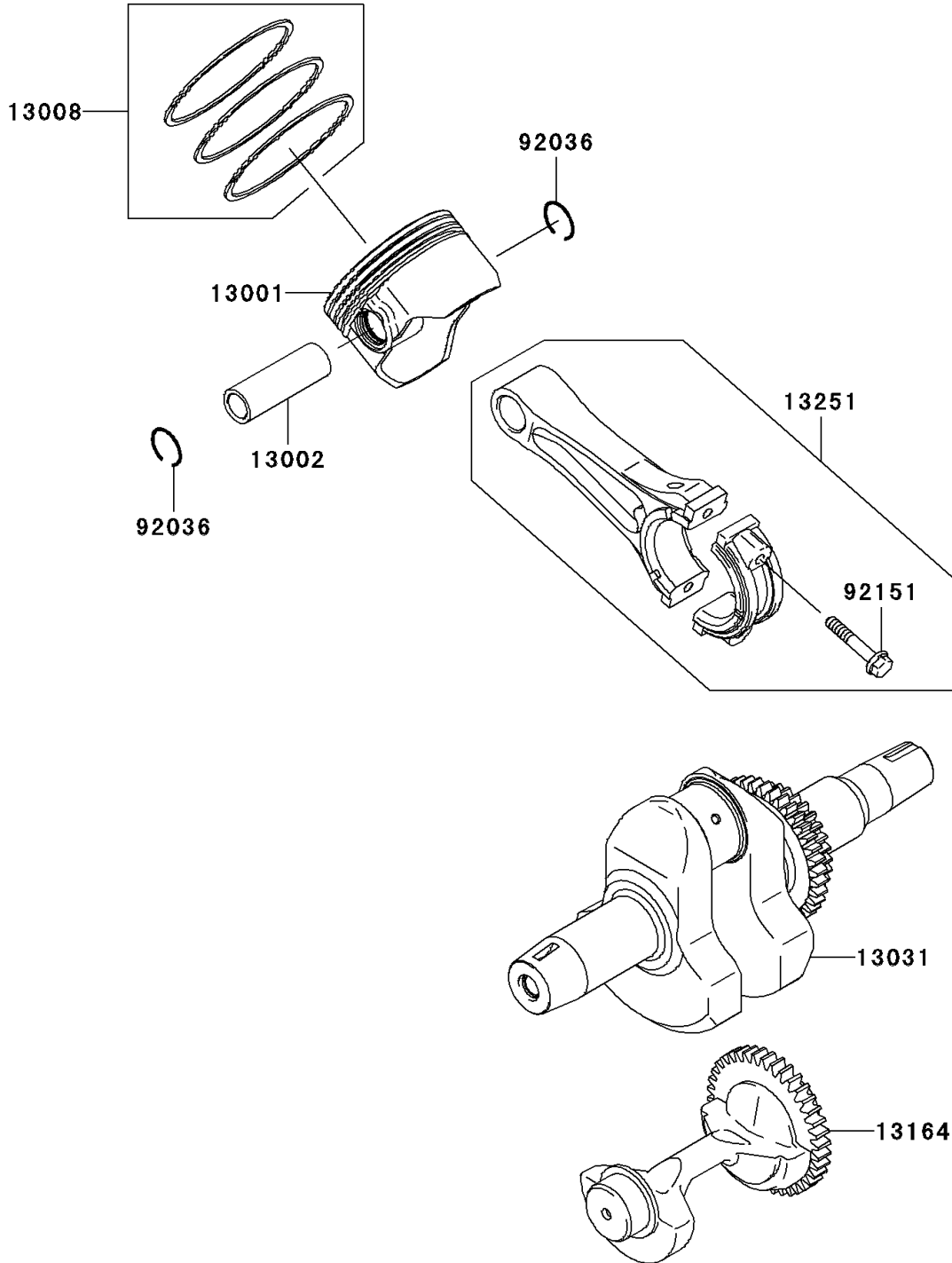


2009 Mule 610 4x4 PARTS DIAGRAM

Crankshaft/Piston(s)

E1320



2009 Mule 610 4x4 PARTS LIST

Crankshaft/Piston(s)

ITEM NAME	PART NUMBER	QUANTITY
PISTON-ENGINE (Ref # 13001)	13001-7013	1
PIN-PISTON (Ref # 13002)	13002-7003	1
RING-SET-PISTON (Ref # 13008)	13008-6063	1
CRANKSHAFT-COMP (Ref # 13031)	13031-7061	1
BALANCER-COMP (Ref # 13164)	13164-7002	1
ROD-ASSY-CONNECTING (Ref # 13251)	13251-7013	1
RING-SNAP,PISTON PIN (Ref # 92036)	92036-008	2
BOLT,6X35 (Ref # 92151)	92151-7017	2