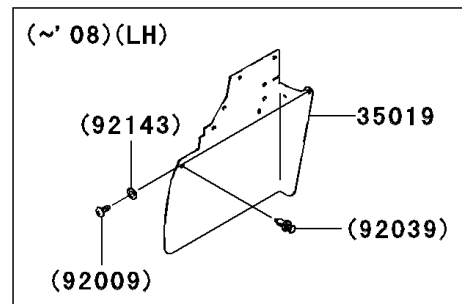
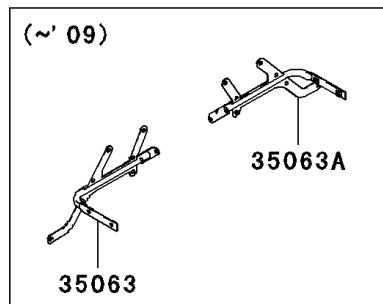
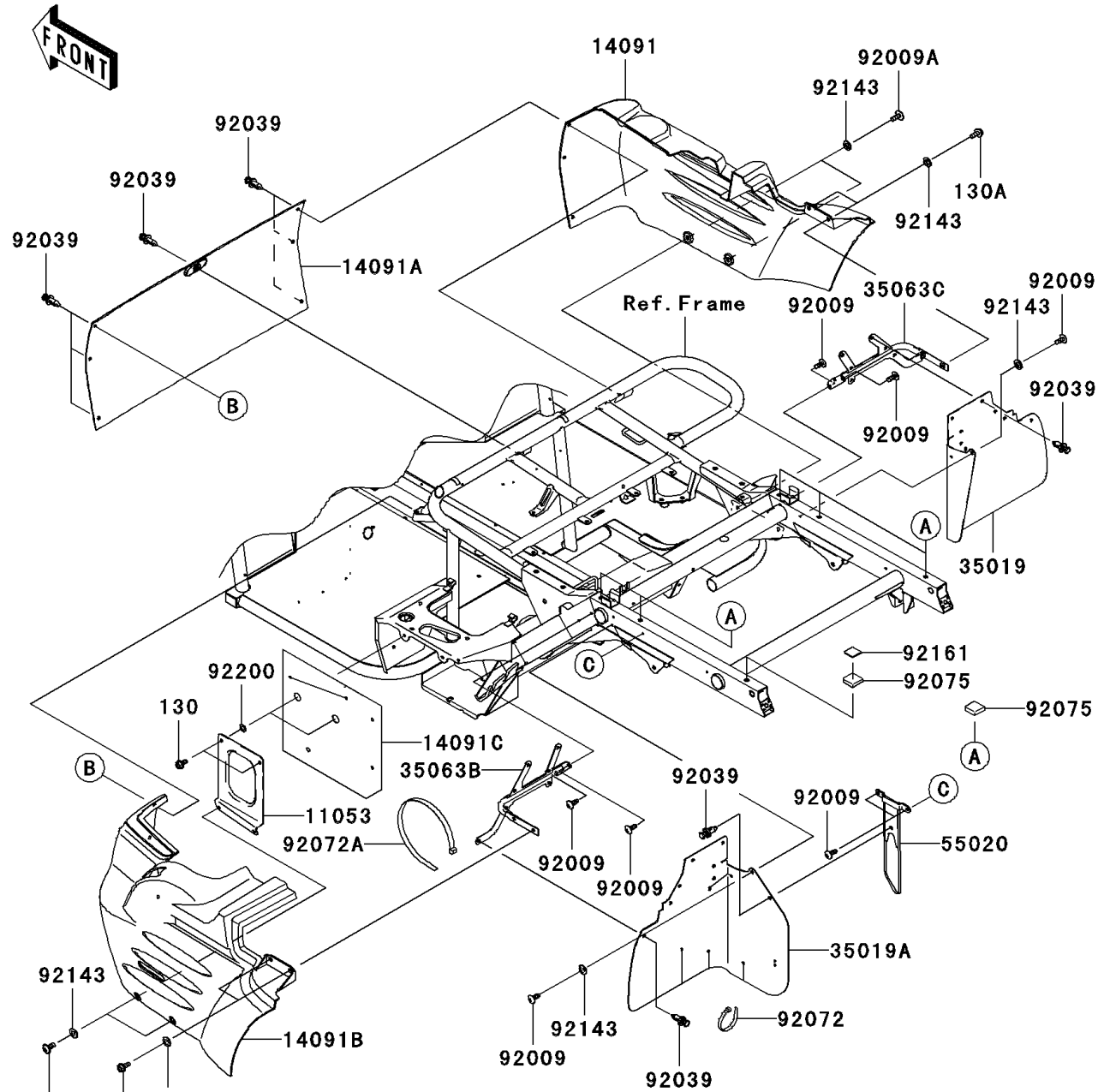


# 2009 Mule 610 4x4 PARTS DIAGRAM

## Frame Fittings(Rear)

F2131



## 2009 Mule 610 4x4 PARTS LIST

### Frame Fittings(Rear)

ITEM NAME	PART NUMBER	QUANTITY
BOLT-FLANGED,6X12 (Ref # 130)	130BB0612	2
BOLT-FLANGED,6X14 (Ref # 130A)	130BB0614	4
BRACKET (Ref # 11053)	11053-0857	1
COVER,REAR SIDE,RH,F.BLACK (Ref # 14091)	14091-0224-6Z	1
COVER,UNDER SEAT,CNT,F.BLACK (Ref # 14091A)	14091-0341-6Z	1
COVER,REAR SIDE,LH,F.BLACK (Ref # 14091B)	14091-0395-6Z	1
COVER (Ref # 14091C)	14091-0464	1
FLAP,RR,FR (Ref # 35019)	35019-0029	1
FLAP,RR,FR (Ref # 35019A)	35019-0071	1
STAY,LH (Ref # 35063)	35063-0186	1
STAY,RH (Ref # 35063A)	35063-0187	1
GUARD,COOLING FAN (Ref # 55020)	55020-0404	1
SCREW,TAPPING,6X16 (Ref # 92009)	92009-1166	8
SCREW,6X16 (Ref # 92009A)	92009-1621	4
RIVET (Ref # 92039)	92039-1229	22
BAND,L=202 (Ref # 92072)	92072-1195	1
BAND,L=368.3 (Ref # 92072A)	92072-3872	1
DAMPER (Ref # 92075)	92075-1882	6
COLLAR (Ref # 92143)	92143-1087	10
DAMPER (Ref # 92161)	92161-0256	1
WASHER,7.04X12.5X0.6 (Ref # 92200)	92200-0234	2