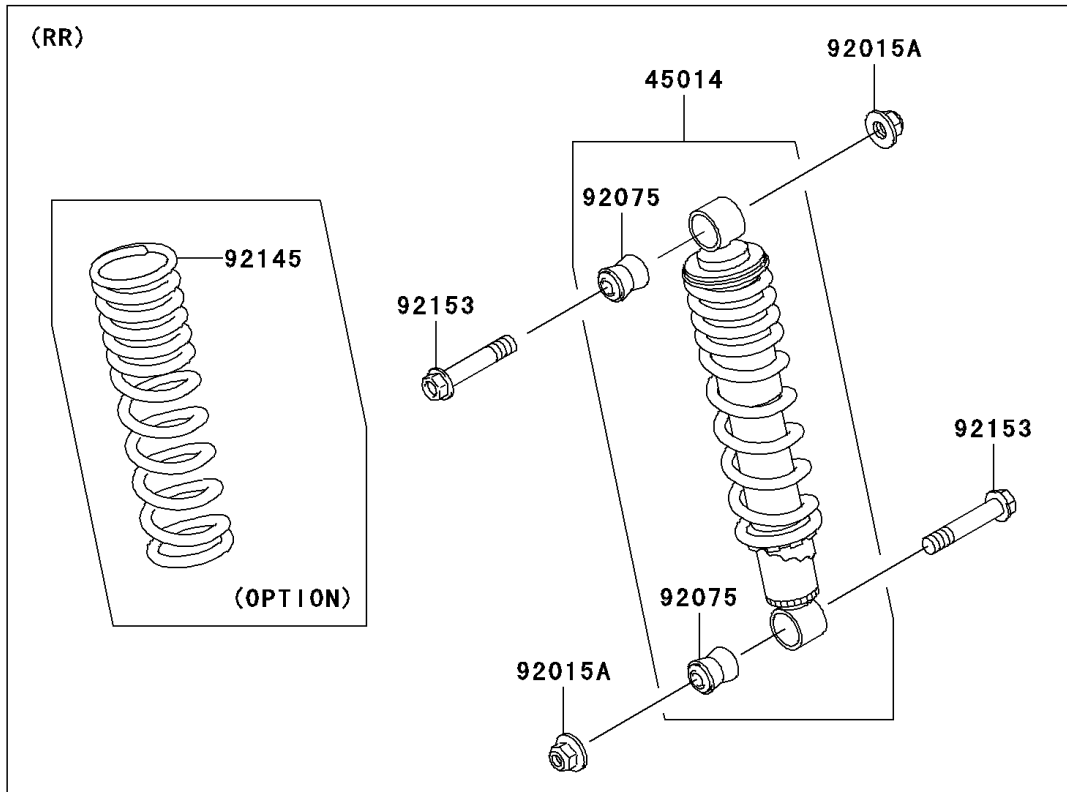
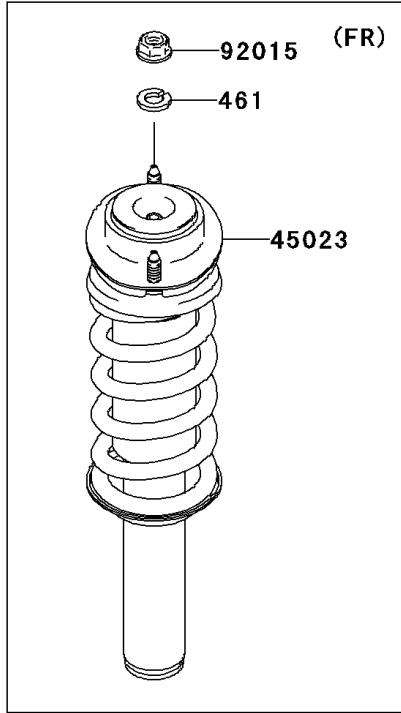


# 2009 Mule 610 4x4 PARTS DIAGRAM

Shock Absorber(s)

F2280



## 2009 Mule 610 4x4 PARTS LIST

### Shock Absorber(s)

ITEM NAME	PART NUMBER	QUANTITY
WASHER-SPRING,10MM (Ref # 461)	461DA1000	4
SHOCKABSORBER (Ref # 45014)	45014-0100	2
STRUT (Ref # 45023)	45023-0003	2
NUT,FLANGED,10MM (Ref # 92015)	92015-1428	4
NUT,LOCK,10MM (Ref # 92015A)	92015-1597	4
DAMPER,SHOCKABSORBER (Ref # 92075)	92075-1784	4
SPRING,SHOCK,K=24.5/44.1N/MM (Ref # 92145)	92145-0400	2
BOLT,FLANGED,10X53.5 (Ref # 92153)	92153-1698	4