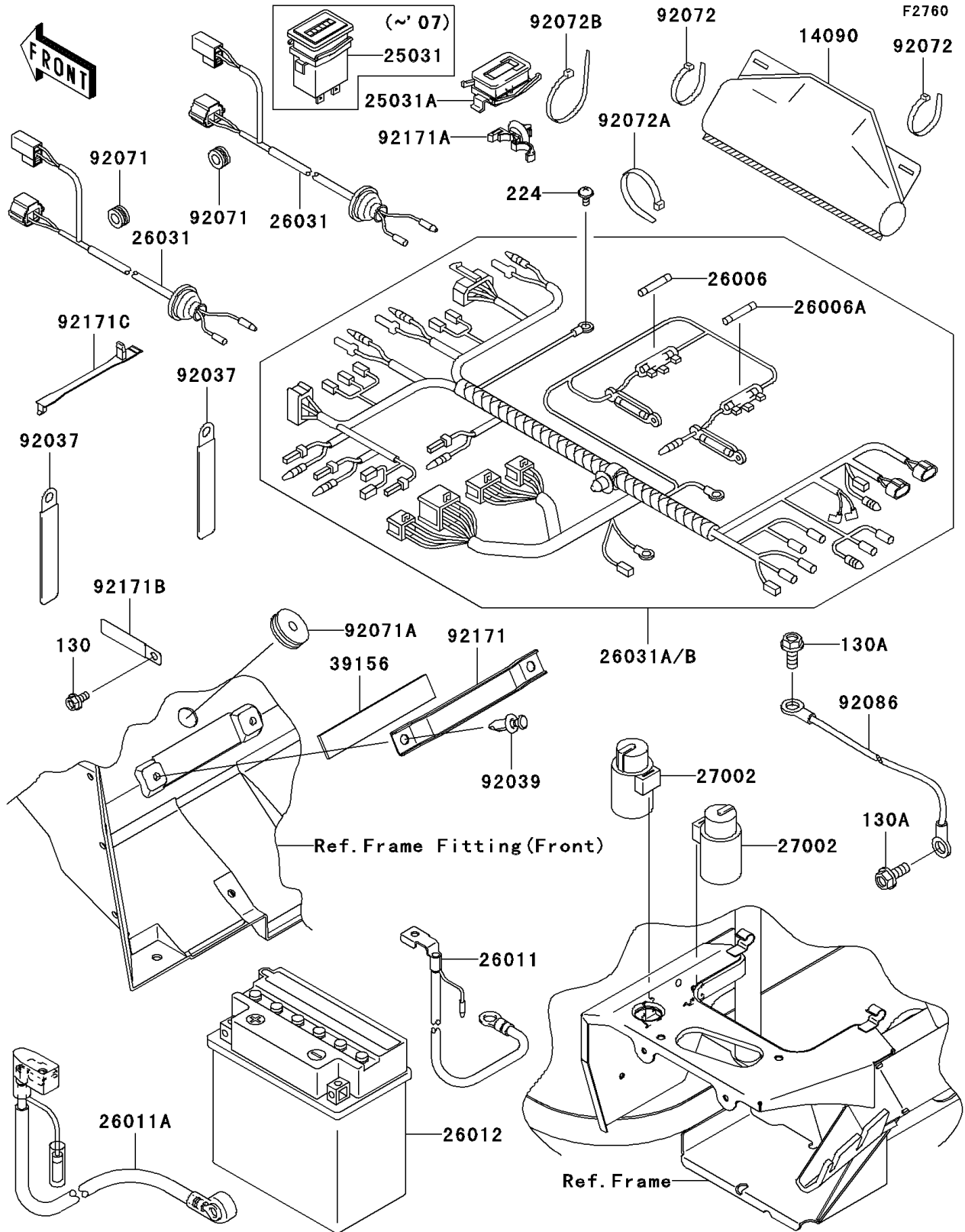


# Mule 610 4x4 PARTS DIAGRAM

## Chassis Electrical Equipment



# Mule 610 4x4 PARTS LIST

Chassis Electrical Equipment

ITEM NAME	PART NUMBER	QUANTITY
-----------	-------------	----------