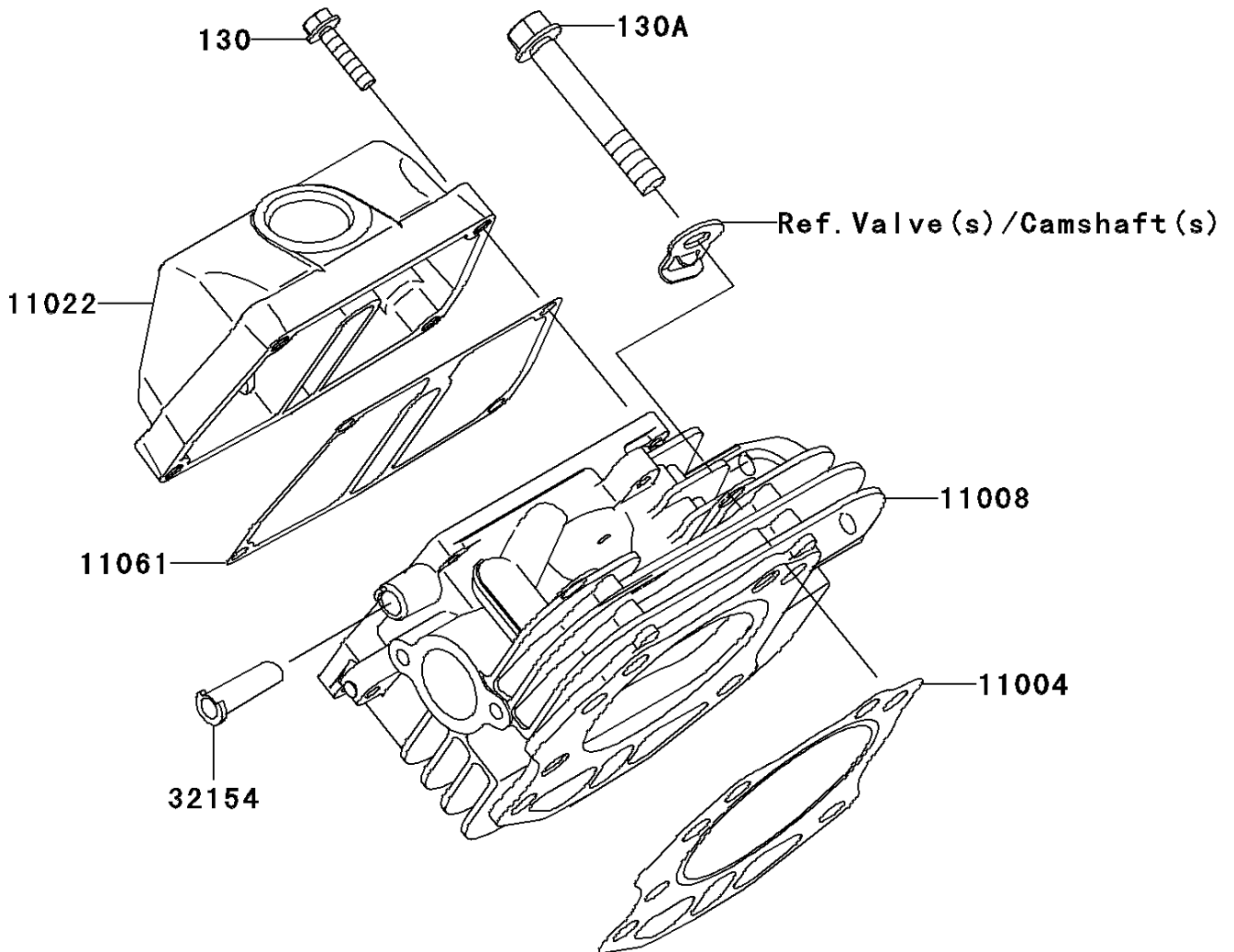


# Mule 610 4x4 Hardwoods Green HD PARTS DIAGRAM

Cylinder Head

E1111



# Mule 610 4x4 Hardwoods Green HD PARTS LIST

## Cylinder Head

ITEM NAME	PART NUMBER	QUANTITY
BOLT-FLANGED,6X25 (Ref # 130)	130AA0625	4
BOLT-FLANGED,10X65 (Ref # 130A)	130CA1065	4
GASKET-HEAD (Ref # 11004)	11004-7017	1
HEAD-COMP-CYLINDER (Ref # 11008)	11008-2162	1
CASE-ROCKER (Ref # 11022)	11022-7014	1
GASKET,CASE-ROCKER (Ref # 11061)	11061-7041	1
PIPE (Ref # 32154)	32154-7008	1