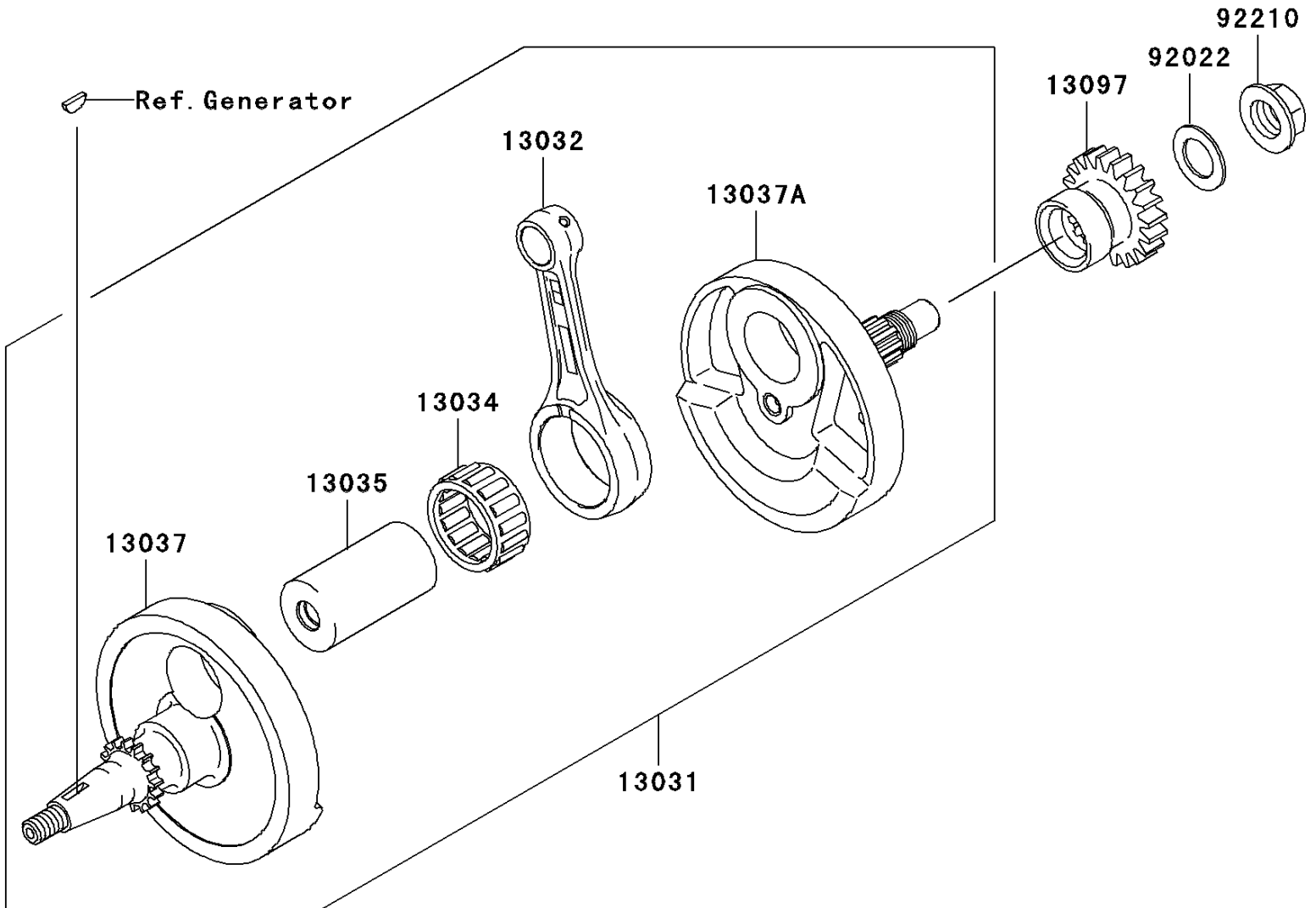


2008 KX™ 250F PARTS DIAGRAM

Crankshaft

E1321



2008 KX™ 250F PARTS LIST

Crankshaft

ITEM NAME	PART NUMBER	QUANTITY
CRANKSHAFT-COMP (Ref # 13031)	13031-0074	1
ROD-CONNECTING (Ref # 13032)	13032-0047	1
BEARING-BIG END,B4 (Ref # 13034)	13034-0014	1
PIN-CRANK (Ref # 13035)	13035-0015	1
CRANKSHAFT,LH (Ref # 13037)	13037-0089	1
CRANKSHAFT,RH (Ref # 13037A)	13037-0108	1
GEAR-PRIMARY SPUR,20T (Ref # 13097)	13097-0008	1
WASHER,16.5X27X1.4 (Ref # 92022)	92022-054	1
NUT,LEFT HANDED,16MM (Ref # 92210)	92210-0350	1