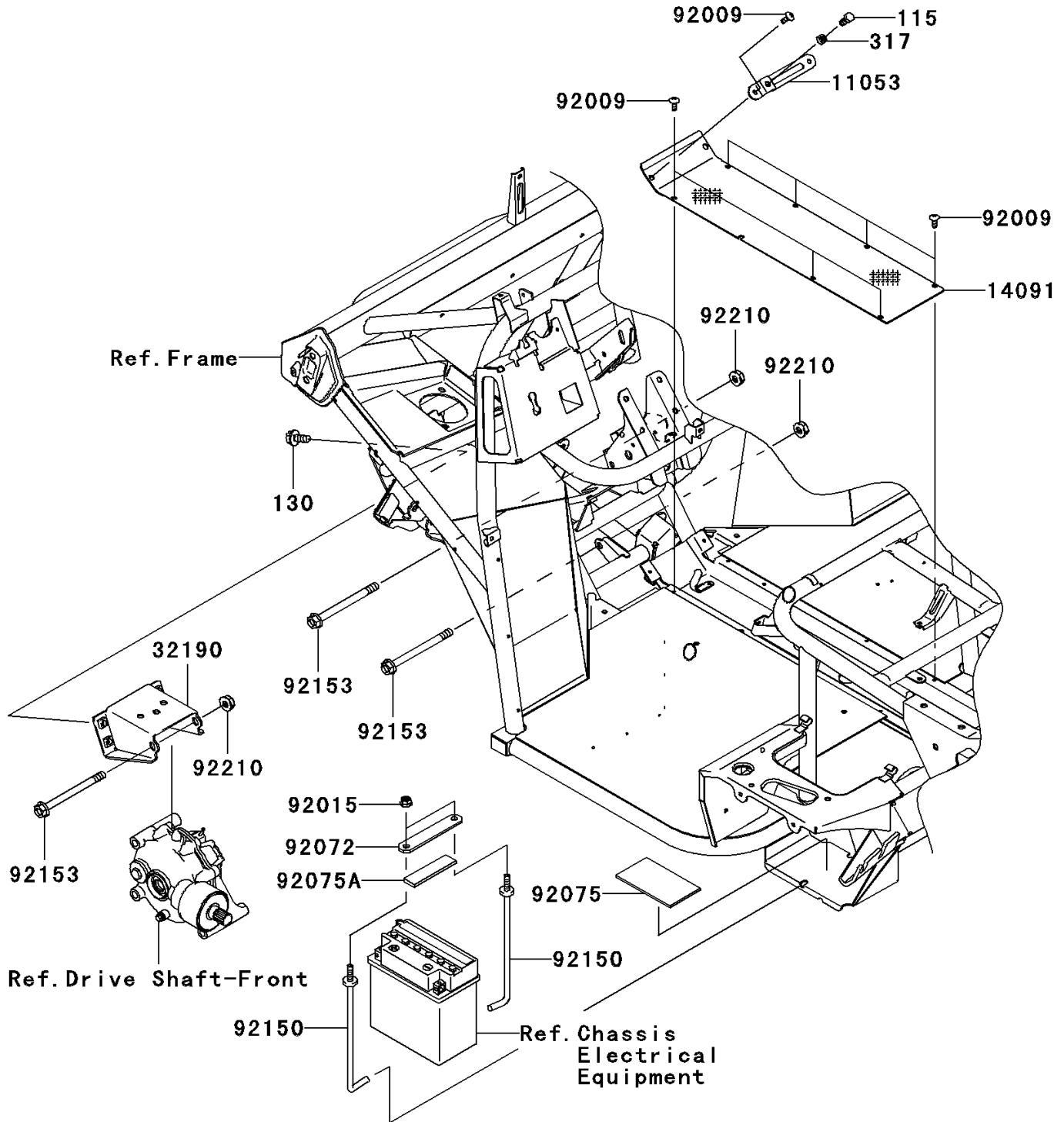


2008 Mule 610 4x4 Hardwoods Green HD PARTS DIAGRAM

Engine Mount

F2122



2008 Mule 610 4x4 Hardwoods Green HD PARTS LIST

Engine Mount

ITEM NAME	PART NUMBER	QUANTITY
BOLT-SMALL-UPSET,8X20 (Ref # 115)	115BA0820	1
BOLT-FLANGED,10X20 (Ref # 130)	130BA1020	4
NUT-HEX-SMALL,8MM (Ref # 317)	317BA0800	1
BRACKET,THROTTLE LEVER (Ref # 11053)	11053-1670	1
COVER,FLOOR,CNT (Ref # 14091)	14091-0390	1
BRACKET-ENGINE (Ref # 32190)	32190-0163	1
SCREW,TAPPING,6X16 (Ref # 92009)	92009-1166	9
NUT,FLANGED,8MM (Ref # 92015)	92015-1406	2
BAND,BATTERY (Ref # 92072)	92072-1233	1
DAMPER (Ref # 92075)	92075-1076	1
DAMPER (Ref # 92075A)	92075-1214	1
BOLT,BATTERY (Ref # 92150)	92150-1293	2
BOLT,FLANGED,10X120 (Ref # 92153)	92153-7502	3
NUT,LOCK,FLANGED,10MM (Ref # 92210)	92210-0276	3