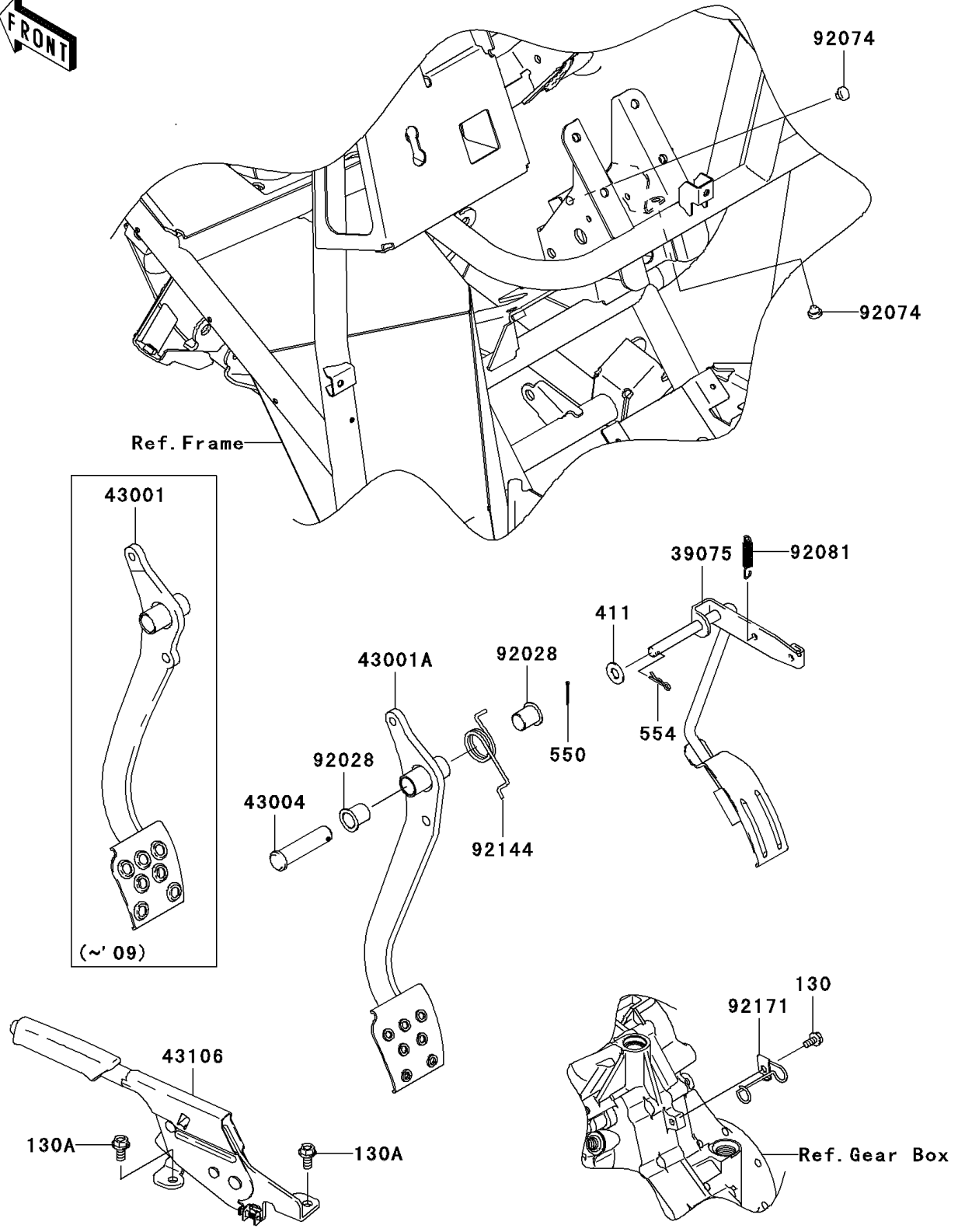


# Mule 610 4x4 Hardwoods Green HD PARTS DIAGRAM

Brake Pedal/Throttle Lever

F2260



# Mule 610 4x4 Hardwoods Green HD PARTS LIST

Brake Pedal/Throttle Lever

ITEM NAME	PART NUMBER	QUANTITY
-----------	-------------	----------