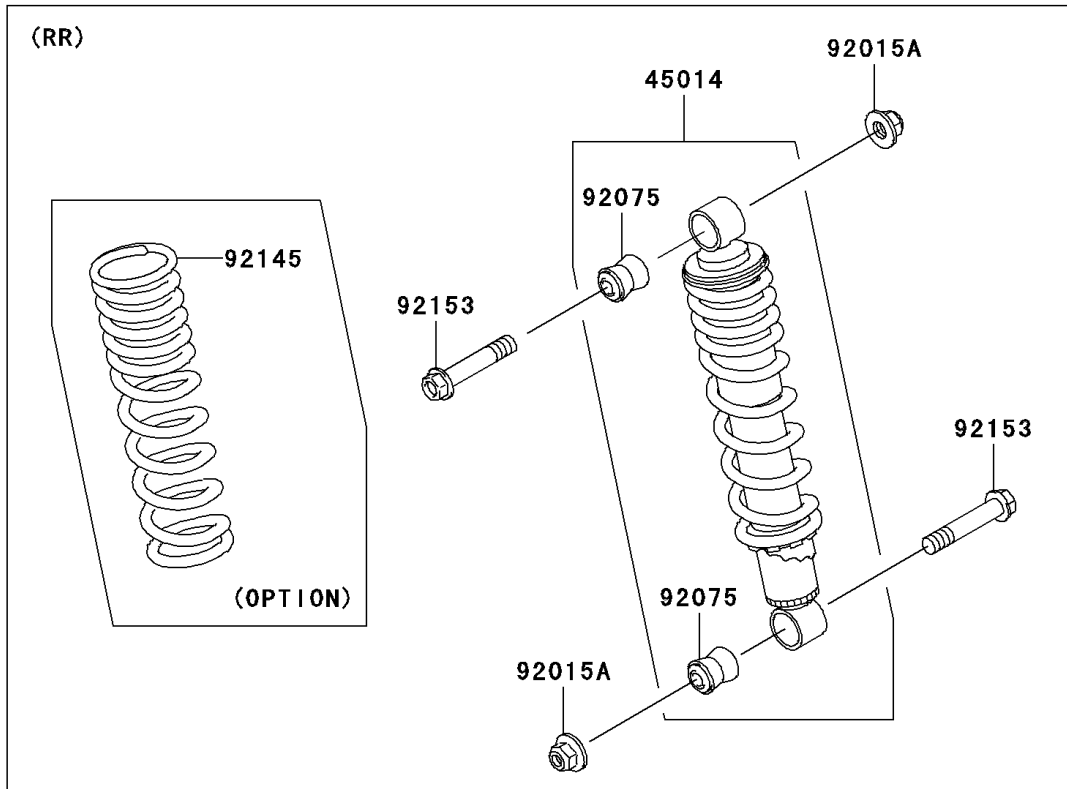
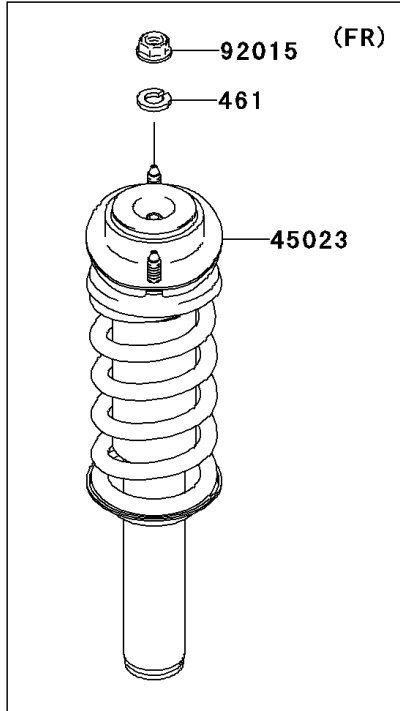


2010 Mule 610 4x4 Realtree APG HD PARTS DIAGRAM

Shock Absorber(s)

F2280



2010 Mule 610 4x4 Realtree APG HD PARTS LIST

Shock Absorber(s)

| ITEM NAME | PART NUMBER | QUANTITY |
|--|-------------|----------|
| WASHER-SPRING,10MM (Ref # 461) | 461DA1000 | 4 |
| SHOCKABSORBER (Ref # 45014) | 45014-0100 | 2 |
| STRUT (Ref # 45023) | 45023-0003 | 2 |
| NUT,FLANGED,10MM (Ref # 92015) | 92015-1428 | 4 |
| NUT,LOCK,10MM (Ref # 92015A) | 92015-1597 | 4 |
| DAMPER,SHOCKABSORBER (Ref # 92075) | 92075-1784 | 4 |
| SPRING,SHOCK,K=24.5/44.1N/MM (Ref # 92145) | 92145-0400 | 2 |
| BOLT,FLANGED,10X53.5 (Ref # 92153) | 92153-1698 | 4 |