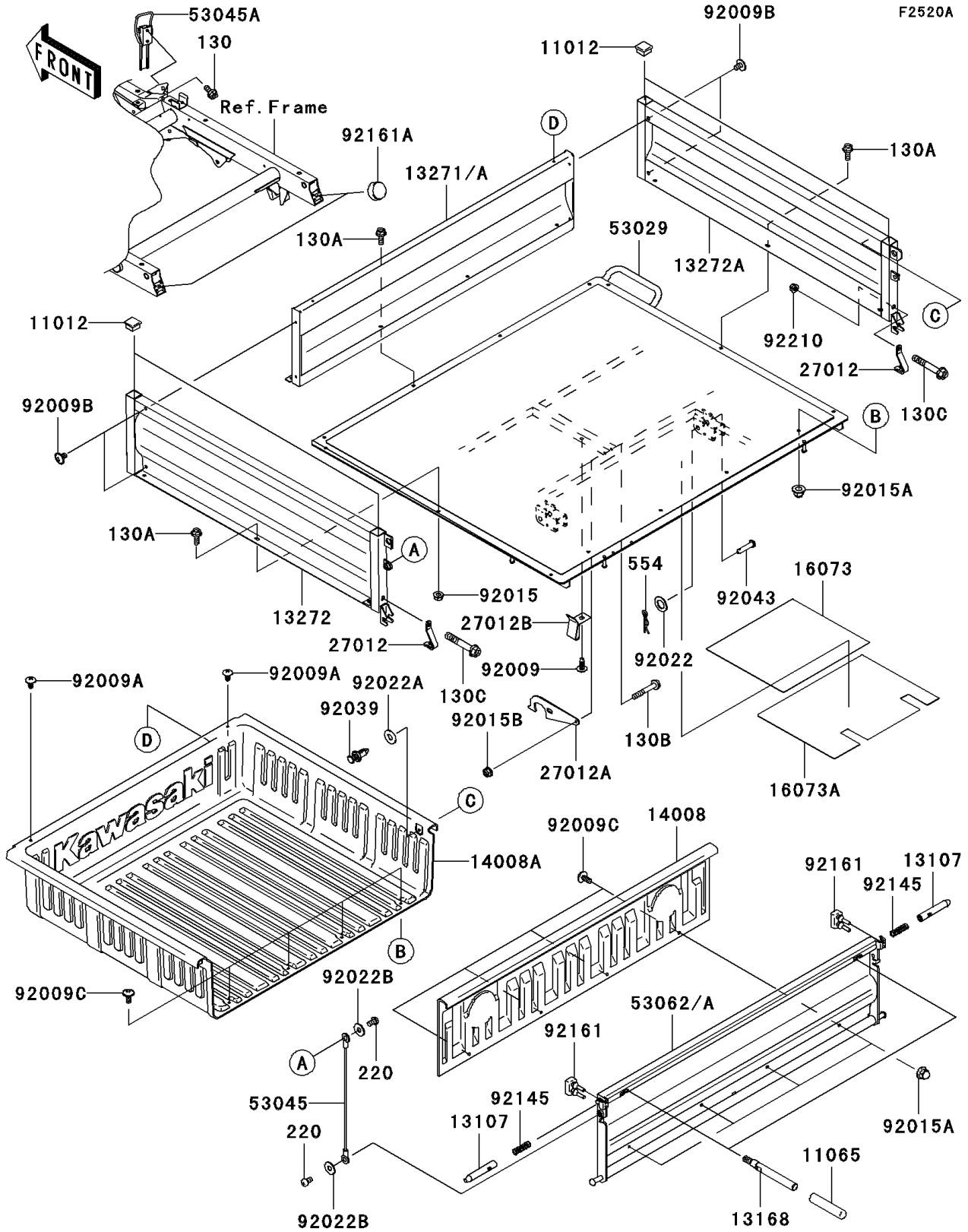


2008 Mule 610 4x4 Hardwoods Green HD PARTS DIAGRAM

Carrier(s)(C8F/C9F)



2008 Mule 610 4x4 Hardwoods Green HD PARTS LIST

Carrier(s)(C8F/C9F)

ITEM NAME	PART NUMBER	QUANTITY
CAP (Ref # 11012)	11012-1784	4
CAP (Ref # 11065)	11065-0126	2
SHAFT (Ref # 13107)	13107-0082	2
LEVER (Ref # 13168)	13168-0090	2
PLATE,CARRIER,SIDE,FR,BLACK (Ref # 13271)	13271-0385-10	1
PLATE,CARRIER,SIDE,LH,GREEN (Ref # 13272)	13272-0104-826	1
PLATE,CARRIER,SIDE,RH,GREEN (Ref # 13272A)	13272-0105-826	1
LINER,TAIL GATE (Ref # 14008)	14008-0010	1
LINER,CARRIER BED (Ref # 14008A)	14008-0012	1
INSULATOR,CARRIER (Ref # 16073)	16073-0039	1
INSULATOR,CARRIER (Ref # 16073A)	16073-0040	1
HOOK,TAIL GATE (Ref # 27012)	27012-0022	2
HOOK (Ref # 27012A)	27012-0044	1
HOOK,CARRIER (Ref # 27012B)	27012-1445	1
CARRIER,BLACK (Ref # 53029)	53029-0024-10	1
HOOK-ASSY,TAIL GATE (Ref # 53045)	53045-0006	2
HOOK-ASSY (Ref # 53045A)	53045-1063	1
GATE-TAIL,C.H.GREEN (Ref # 53062)	53062-0004-826	1
SCREW,TAPPING,6X16 (Ref # 92009)	92009-1166	1
SCREW,6X12 (Ref # 92009A)	92009-1480	2
SCREW,6X10 (Ref # 92009B)	92009-1661	4
SCREW,6X14 (Ref # 92009C)	92009-1662	8
NUT,FLANGED,6MM,BLACK (Ref # 92015)	92015-1233	10
NUT,LOCK 6MM (Ref # 92015A)	92015-1262	8
NUT,LOCK,FLANGED,6MM (Ref # 92015B)	92015-1675	1
WASHER,12.5X22X1.2 (Ref # 92022)	92022-072	2
WASHER,8.5X20X1.6,BLACK (Ref # 92022A)	92022-1317	2
WASHER,7X18X1.2 (Ref # 92022B)	92022-1545	4
RIVET (Ref # 92039)	92039-1229	2

2008 Mule 610 4x4 Hardwoods Green HD PARTS LIST

Carrier(s)(C8F/C9F)

ITEM NAME	PART NUMBER	QUANTITY
PIN,12X54 (Ref # 92043)	92043-1451	2
SPRING,TENSIONER (Ref # 92145)	92145-1215	2
DAMPER (Ref # 92161)	92161-0258	2
DAMPER,SEAT (Ref # 92161A)	92161-1065	2
NUT,FLANGED,8MM (Ref # 92210)	92210-0555	2
BOLT-FLANGED,6X14 (Ref # 130)	130BB0614	2
BOLT-FLANGED,6X16 (Ref # 130A)	130BB0616	10
BOLT-FLANGED,6X40 (Ref # 130B)	130BB0640	1
BOLT-FLANGED,8X50 (Ref # 130C)	130BB0850	2
SCREW-PAN-CROSS,6X10 (Ref # 220)	220AB0610	4
PIN-SNAP,12MM (Ref # 554)	554DA1200	2