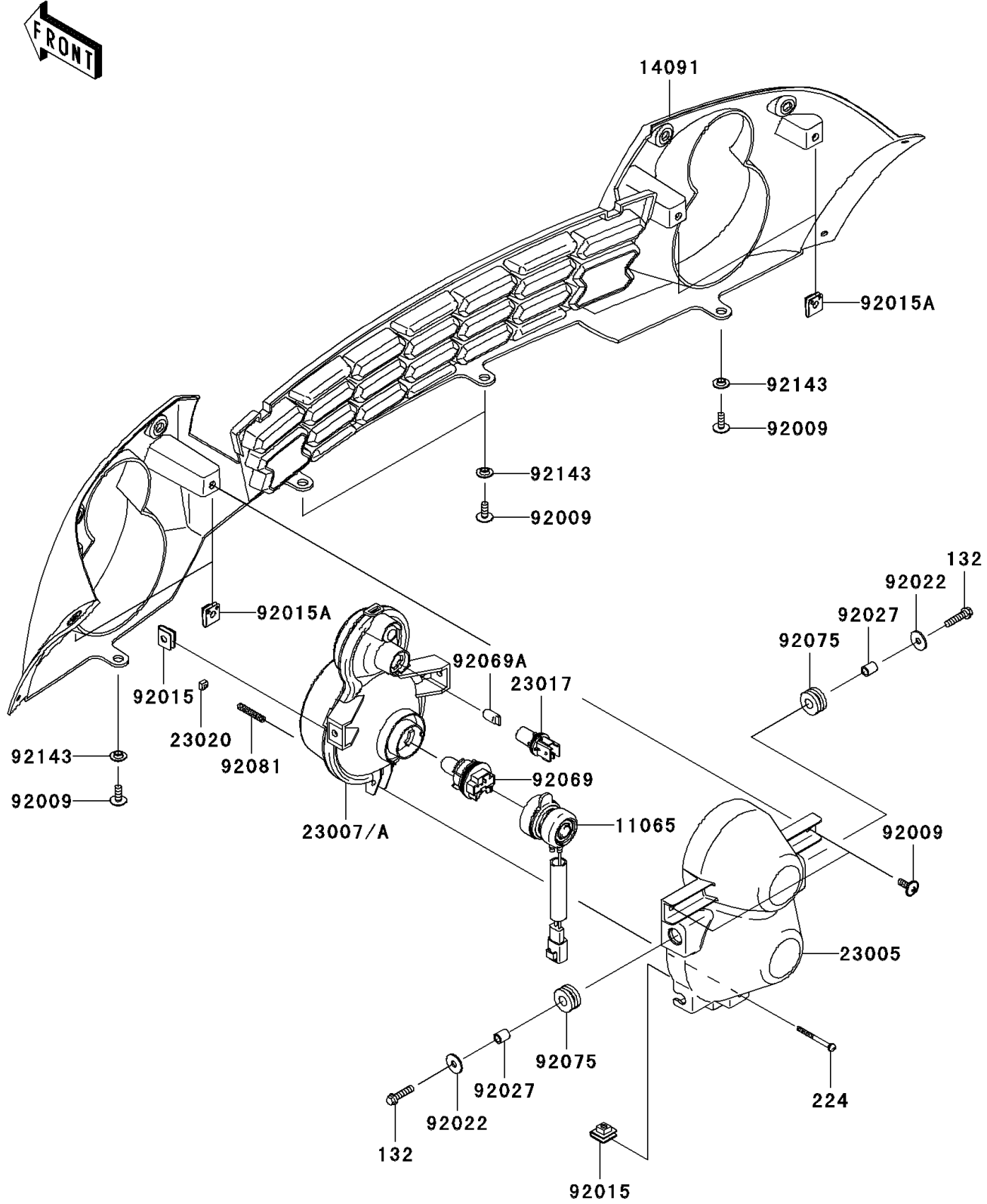


2010 Mule 610 4x4 Realtree APG HD PARTS DIAGRAM

Headlight(s)

F2710



2010 Mule 610 4x4 Realtree APG HD PARTS LIST

Headlight(s)

ITEM NAME	PART NUMBER	QUANTITY
BOLT-FLANGED-SMALL,6X25 (Ref # 132)	132BA0625	4
SCREW-PAN-WP-CROS,4X45 (Ref # 224)	224AA0445	2
CAP,HEAD LAMP (Ref # 11065)	11065-0104	2
COVER,FRONT GRILLE,F.BLACK (Ref # 14091)	14091-0342-6Z	1
BODY-COMP-HEAD LAMP (Ref # 23005)	23005-0005	2
LENS-COMP,HEAD LAMP,LH (Ref # 23007)	23007-0047	1
LENS-COMP,HEAD LAMP,RH (Ref # 23007A)	23007-0048	1
SOCKET,HEAD LAMP (Ref # 23017)	23017-0002	2
NUT,4MM,FOCUS ADJUST (Ref # 23020)	23020-018	2
SCREW,6X16 (Ref # 92009)	92009-1621	8
NUT,6MM (Ref # 92015)	92015-1094	6
NUT,CLAMP,6MM (Ref # 92015A)	92015-1678	4
WASHER,6.5X20X1.6 (Ref # 92022)	92022-125	4
COLLAR,6.8X10X12 (Ref # 92027)	92027-162	4
BULB,12V 30/30W (Ref # 92069)	92069-0012	2
BULB,12V 5W (Ref # 92069A)	92069-0013	2
DAMPER (Ref # 92075)	92075-1690	4
SPRING,FOCUS ADJUST (Ref # 92081)	92081-1896	2
COLLAR (Ref # 92143)	92143-1087	4