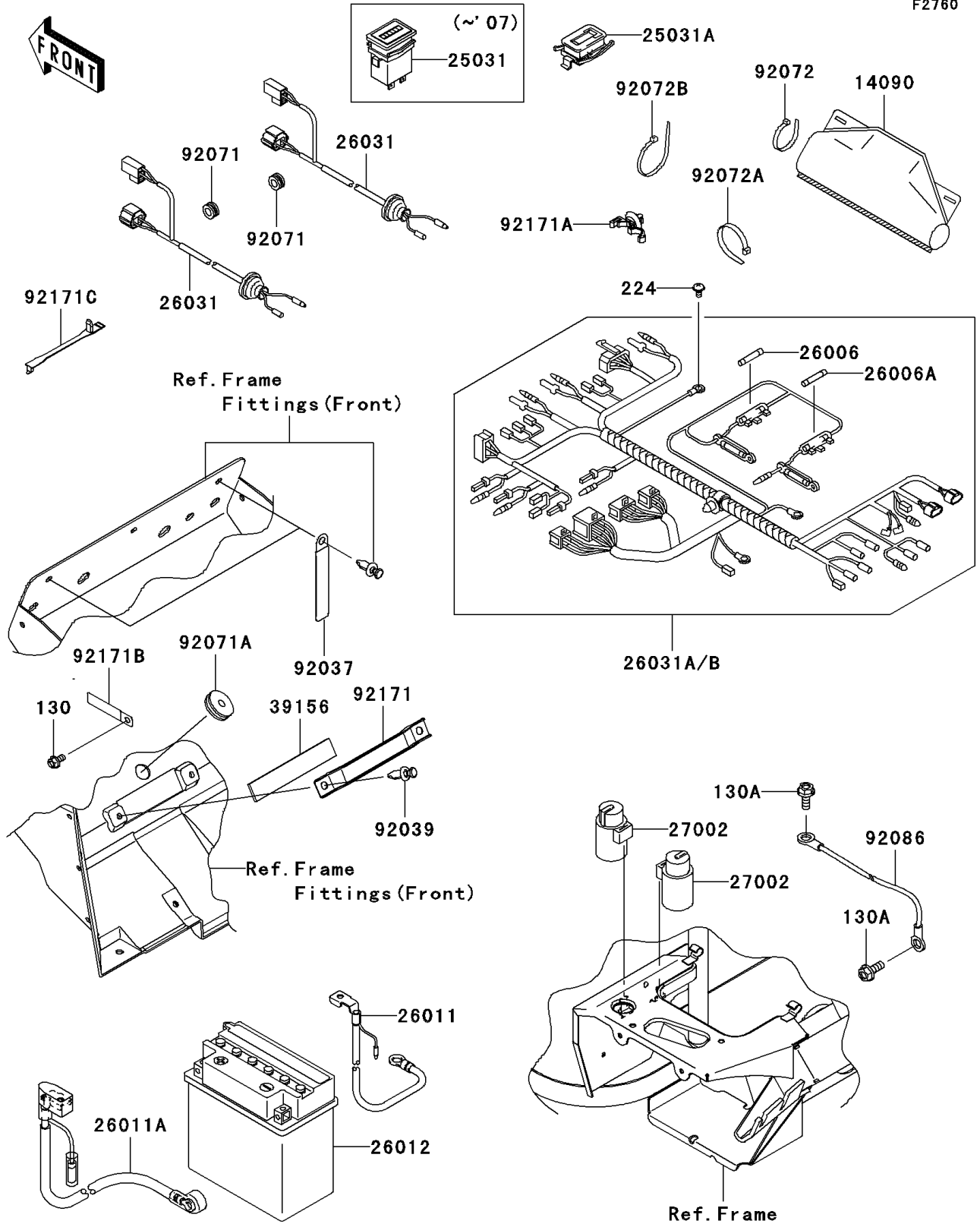


Mule 610 4x4 Hardwoods Green HD PARTS DIAGRAM

Chassis Electrical Equipment

F2760



Mule 610 4x4 Hardwoods Green HD PARTS LIST

Chassis Electrical Equipment

ITEM NAME	PART NUMBER	QUANTITY
-----------	-------------	----------