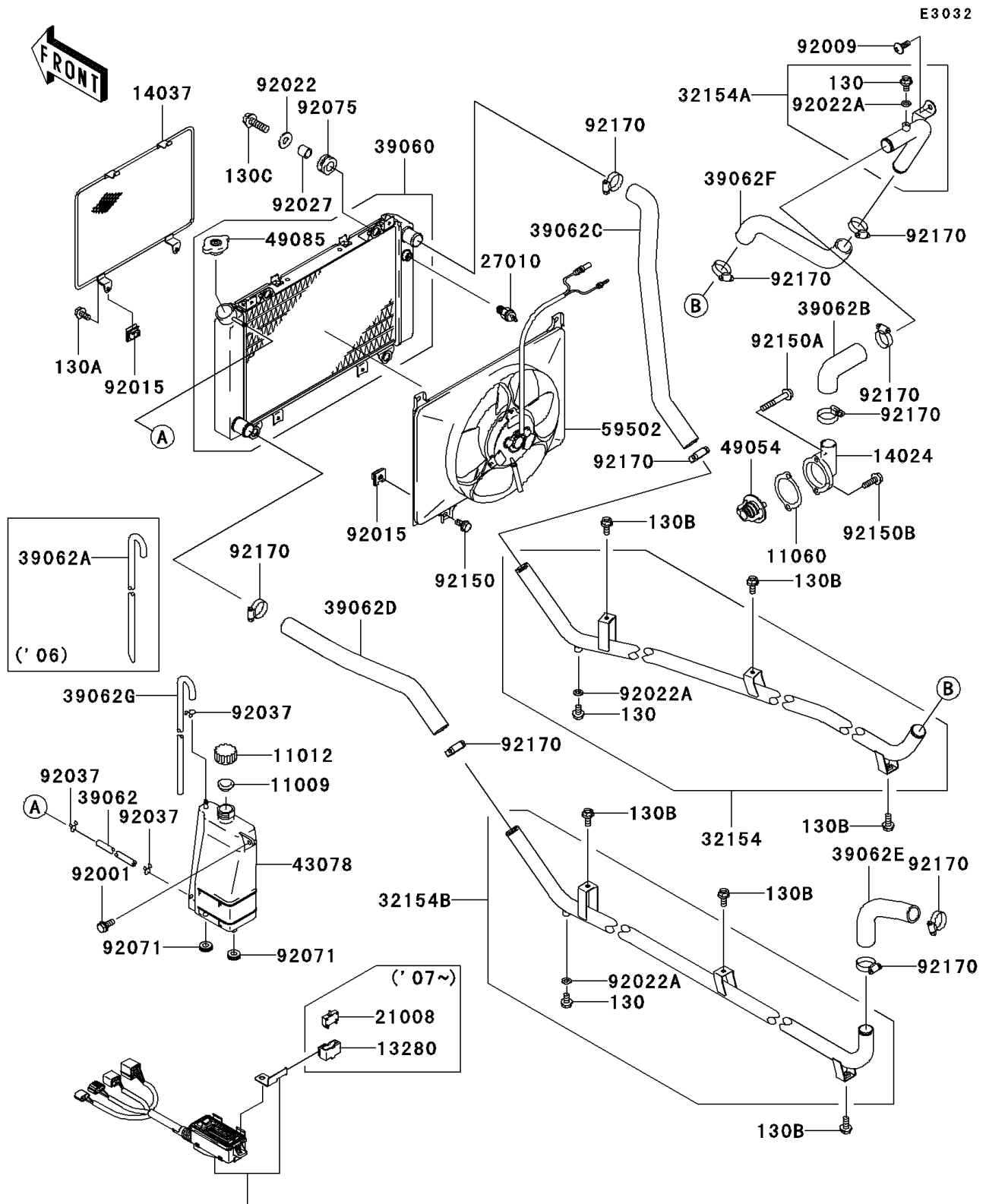


# Mule 3010 Trans4x4 Hardwoods Green HD PARTS DIAGRAM

Radiator



Ref. Chassis Electrical Equipment

# Mule 3010 Trans4x4 Hardwoods Green HD PARTS LIST

Radiator

ITEM NAME	PART NUMBER	QUANTITY
-----------	-------------	----------