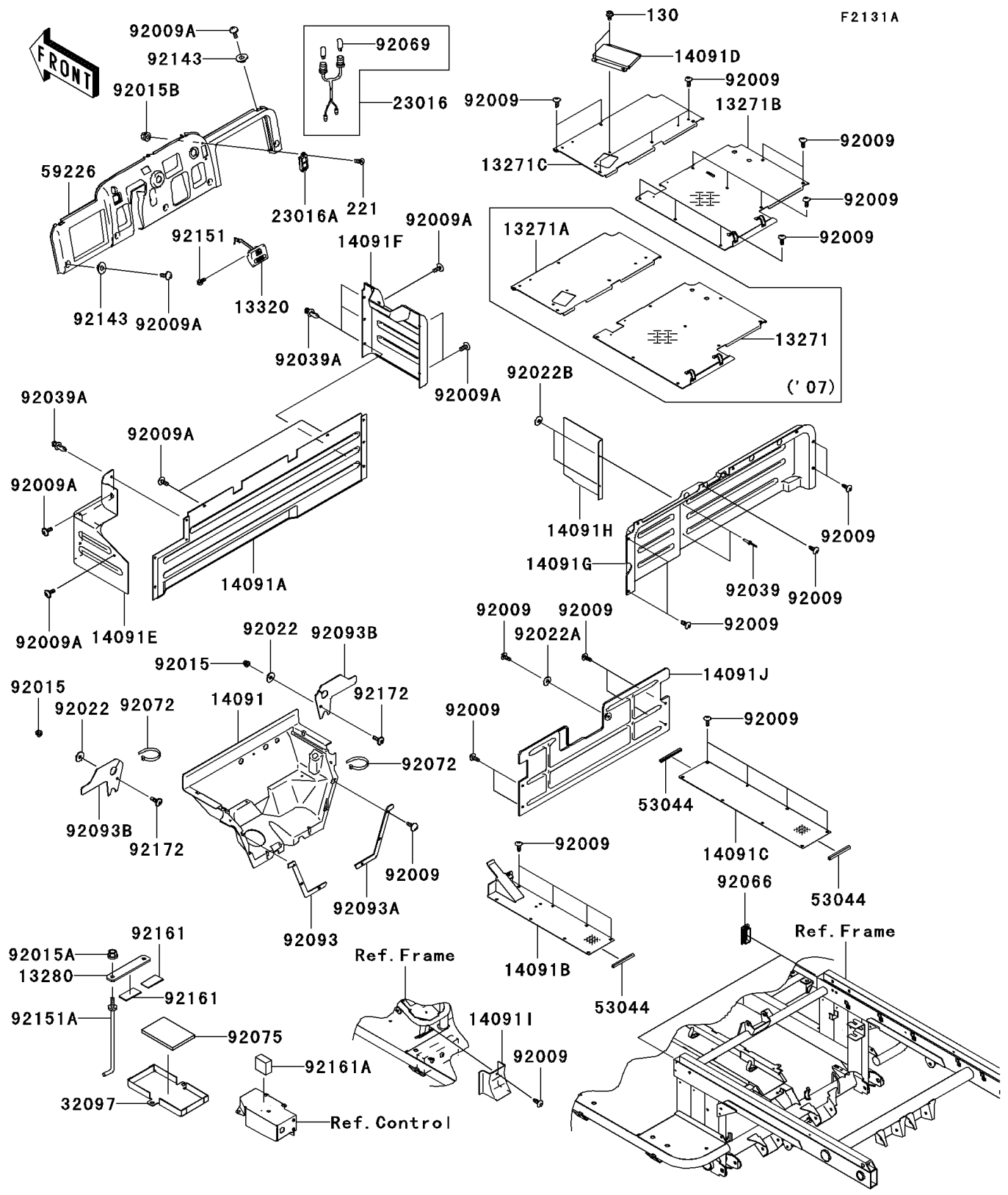


2008 Mule 3010 Trans4x4 Hardwoods Green HD PARTS DIAGRAM

Frame Fittings



2008 Mule 3010 Trans4x4 Hardwoods Green HD PARTS LIST

Frame Fittings

ITEM NAME	PART NUMBER	QUANTITY
PLATE,FLOOR,RH (Ref # 13271B)	13271-7602	1
PLATE,FLOOR,RH (Ref # 13271C)	13271-7606	1
HOLDER,BATTERY (Ref # 13280)	13280-7505	1
LEVER-ASSY (Ref # 13320)	13320-1016	1
COVER,FLOOR (Ref # 14091)	14091-1378	1
COVER,FRONT SEAT,CNT (Ref # 14091A)	14091-7531	1
COVER,FLOOR,CNT,FR (Ref # 14091B)	14091-7534	1
COVER,FLOOR,CNT,RR (Ref # 14091C)	14091-7535	1
COVER (Ref # 14091D)	14091-7536	1
COVER,FRONT SEAT,LH (Ref # 14091E)	14091-7541	1
COVER,FRONT SEAT,RH (Ref # 14091F)	14091-7542	1
COVER,FRONT SEAT,RR,LWR (Ref # 14091G)	14091-7549	1
COVER,FUEL TANK (Ref # 14091H)	14091-7550	1
COVER,PARKING CABLE (Ref # 14091I)	14091-7551	1
COVER,REAR SEAT,LWR (Ref # 14091J)	14091-7557	1
LAMP-ASSY,INDICATOR (Ref # 23016)	23016-1188	1
LAMP-ASSY (Ref # 23016A)	23016-1189	1
CASE-BATTERY (Ref # 32097)	32097-7501	1
TRIM,L=111 (Ref # 53044)	53044-7502	3
PANEL-CONTROL,C.H.GREEN (Ref # 59226)	59226-7502-396	1
SCREW,TAPPING,6X16 (Ref # 92009)	92009-1166	50
SCREW,6X16 (Ref # 92009A)	92009-1621	17
NUT,FLANGED,6MM,BLACK (Ref # 92015)	92015-1233	2
NUT,FLANGED,8MM (Ref # 92015A)	92015-1406	2
NUT,LOCK,FLANGED,6MM (Ref # 92015B)	92015-1603	2
WASHER,6.5X20X1.6,BLACK (Ref # 92022)	92022-1346	2
WASHER,7X18X1.2 (Ref # 92022A)	92022-1545	1
WASHER,4.3X12.5X1 (Ref # 92022B)	92022-1949	2
RIVET (Ref # 92039)	92039-1150	2

2008 Mule 3010 Trans4x4 Hardwoods Green HD PARTS LIST

Frame Fittings

ITEM NAME	PART NUMBER	QUANTITY
RIVET (Ref # 92039A)	92039-1229	7
PLUG (Ref # 92066)	92066-7505	2
BULB,12V 3W,T7 (Ref # 92069)	92069-1020	2
BAND,L=368.3 (Ref # 92072)	92072-3872	2
DAMPER (Ref # 92075)	92075-1076	1
SEAL,FRONT FENDER,LH (Ref # 92093)	92093-1293	1
SEAL,FRONT FENDER,RH (Ref # 92093A)	92093-1294	1
SEAL,LOWER COVER (Ref # 92093B)	92093-1295	2
COLLAR (Ref # 92143)	92143-1087	9
BOLT-FLANGED,6X10 (Ref # 130)	130BB0610	2
SCREW-CSK-CROS,6X16 (Ref # 221)	221AB0616	2
BOLT,FLANGED,5X12 (Ref # 92151)	92151-1305	2
BOLT,BATTERY (Ref # 92151A)	92151-1897	2
DAMPER (Ref # 92161)	92161-0032	2
DAMPER (Ref # 92161A)	92161-7515	1
SCREW,6X18 (Ref # 92172)	92172-0002	2