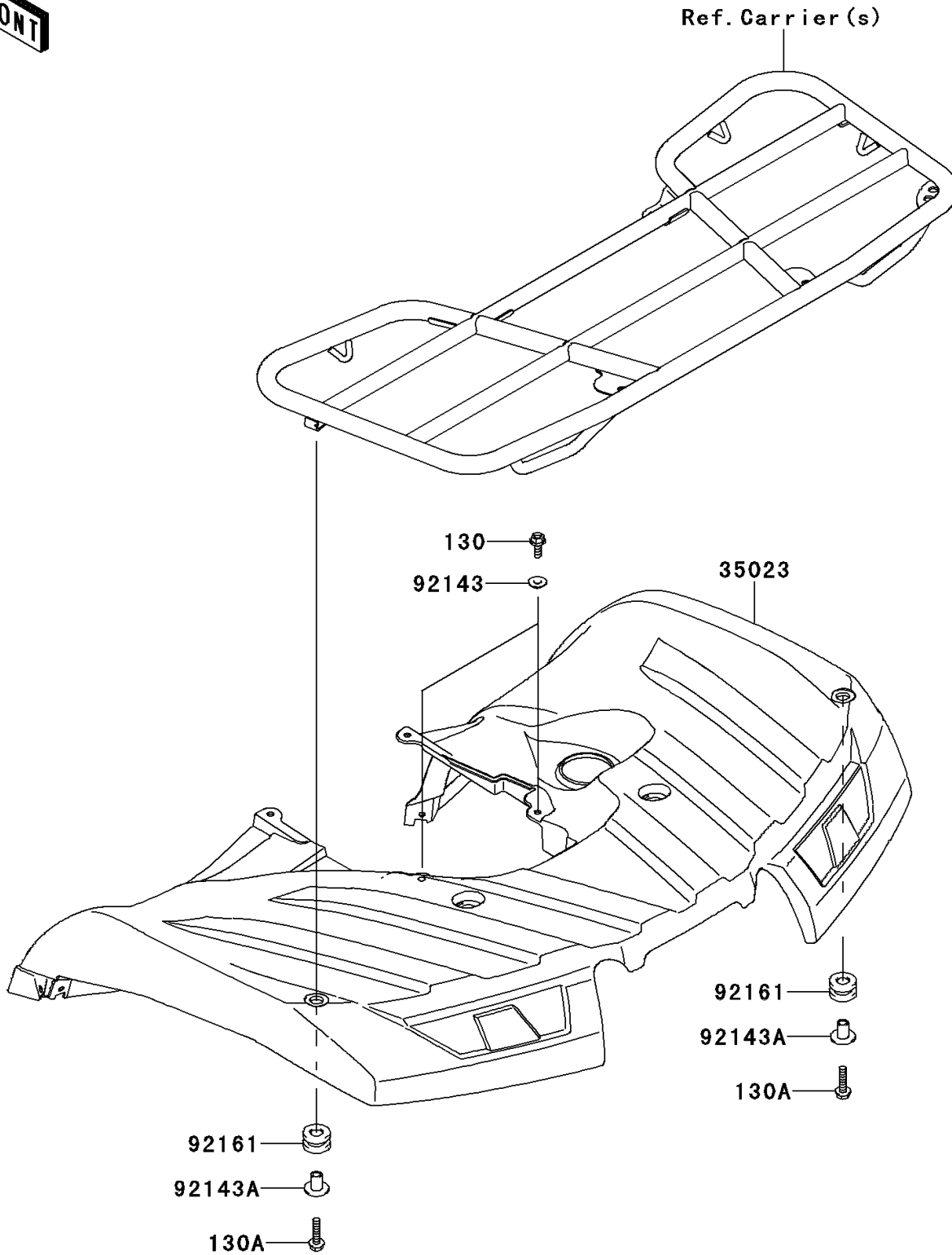


2013 BRUTE FORCE® 750 4x4i EPS PARTS DIAGRAM

Rear Fender(s)

F2172



2013 BRUTE FORCE® 750 4x4i EPS PARTS LIST

Rear Fender(s)

ITEM NAME	PART NUMBER	QUANTITY
BOLT-FLANGED,6X16 (Ref # 130)	130BA0616	2
BOLT-FLANGED,6X25 (Ref # 130A)	130BA0625	2
FENDER-REAR,CAMOUFLAGE (Ref # 35023)	35023-0313-16P	1
COLLAR (Ref # 92143)	92143-1087	2
COLLAR (Ref # 92143A)	92143-1960	2
DAMPER (Ref # 92161)	92161-0106	2