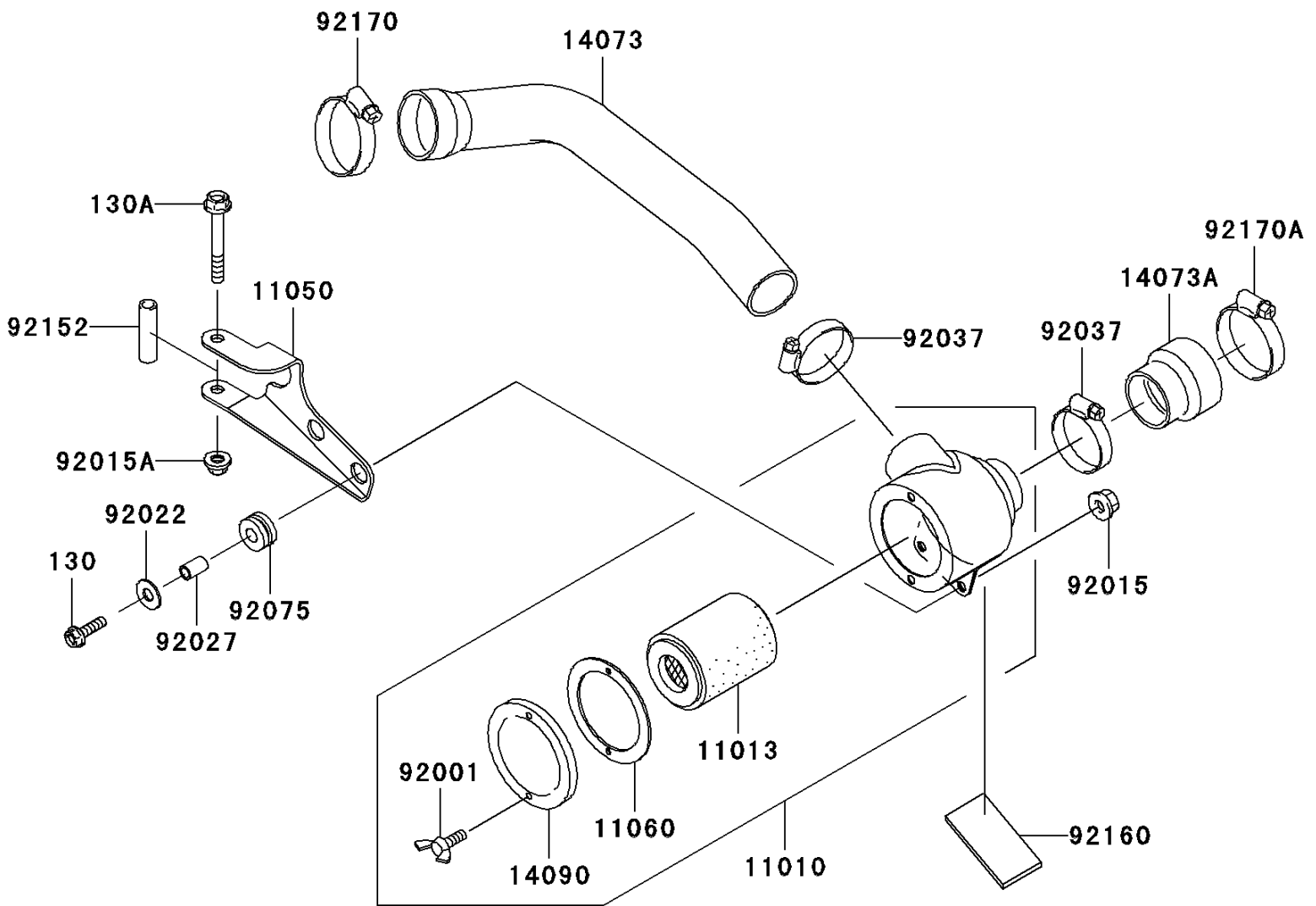


# Mule 3010 4X4 PARTS DIAGRAM

Air Cleaner-Belt Converter

E1394



# Mule 3010 4X4 PARTS LIST

## Air Cleaner-Belt Converter

| ITEM NAME                            | PART NUMBER | QUANTITY |
|--------------------------------------|-------------|----------|
| BOLT-FLANGED,8X30,BLACK (Ref # 130)  | 130C0830    | 2        |
| BOLT-FLANGED (Ref # 130A)            | 130J1075    | 1        |
| FILTER-ASSY-AIR (Ref # 11010)        | 11010-1735  | 1        |
| ELEMENT-AIR FILTER (Ref # 11013)     | 11013-1263  | 1        |
| BRACKET (Ref # 11050)                | 11050-1404  | 1        |
| GASKET,AIR FILTER CASE (Ref # 11060) | 11060-1975  | 1        |
| DUCT (Ref # 14073)                   | 14073-1699  | 1        |
| DUCT (Ref # 14073A)                  | 14073-1700  | 1        |
| COVER,AIR FILTER (Ref # 14090)       | 14090-1766  | 1        |
| BOLT,WING,6X15 (Ref # 92001)         | 92001-1703  | 2        |
| NUT,8MM (Ref # 92015)                | 92015-1432  | 2        |
| NUT,LOCK,10MM (Ref # 92015A)         | 92015-1522  | 1        |
| WASHER,9X28X2.3 (Ref # 92022)        | 92022-1632  | 2        |
| COLLAR,8.8X12X15.5 (Ref # 92027)     | 92027-1081  | 2        |
| CLAMP (Ref # 92037)                  | 92037-3009  | 2        |
| DAMPER (Ref # 92075)                 | 92075-1736  | 2        |
| COLLAR,10.5X16X50 (Ref # 92152)      | 92152-0083  | 1        |
| DAMPER (Ref # 92160)                 | 92160-1102  | 1        |
| CLAMP (Ref # 92170)                  | 92170-1674  | 1        |
| CLAMP (Ref # 92170A)                 | 92170-1764  | 1        |