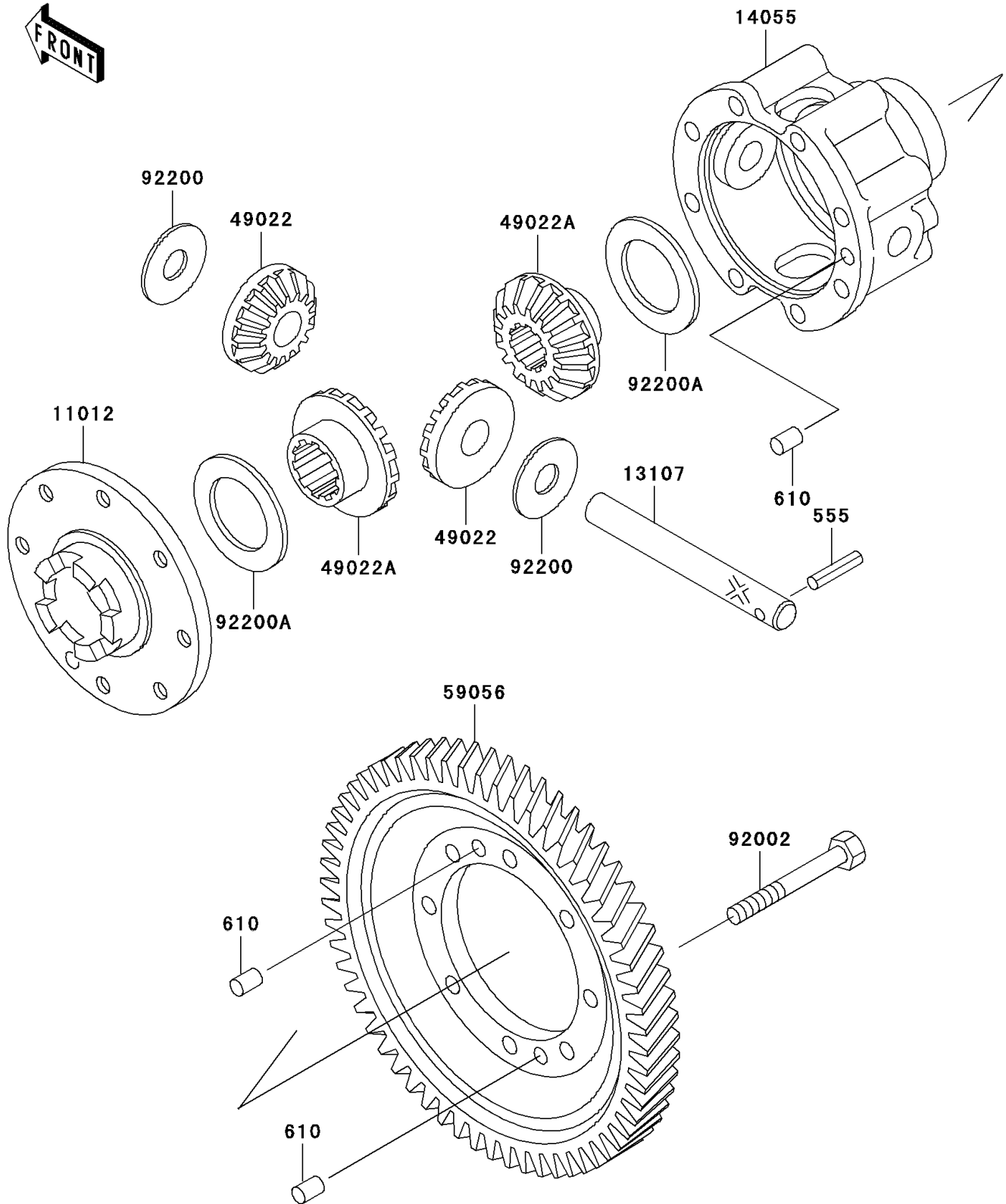


# Mule 3010 4X4 PARTS DIAGRAM

Differential(KAF620-E1-E3)

E1451



## Mule 3010 4X4 PARTS LIST

Differential(KAF620-E1-E3)

ITEM NAME	PART NUMBER	QUANTITY
PIN-SPRING (Ref # 555)	555A0528	1
ROLLER,8X12 (Ref # 610)	610A0812	3
CAP,GEAR CASE (Ref # 11012)	11012-1613	1
SHAFT (Ref # 13107)	13107-1219	1
CASE-GEAR,DIFFERENTIAL (Ref # 14055)	14055-1113	1
GEAR-BEVEL,10T (Ref # 49022)	49022-1105	2
GEAR-BEVEL,16T (Ref # 49022A)	49022-1117	2
GEAR-HELICAL,DIFFERENTIAL,81T (Ref # 59056)	59056-1056	1
BOLT,8X68 (Ref # 92002)	92002-1553	8
WASHER,14.5X38X1.0 (Ref # 92200)	92200-1044	2
WASHER,35.5X54X1.0 (Ref # 92200A)	92200-1045	2