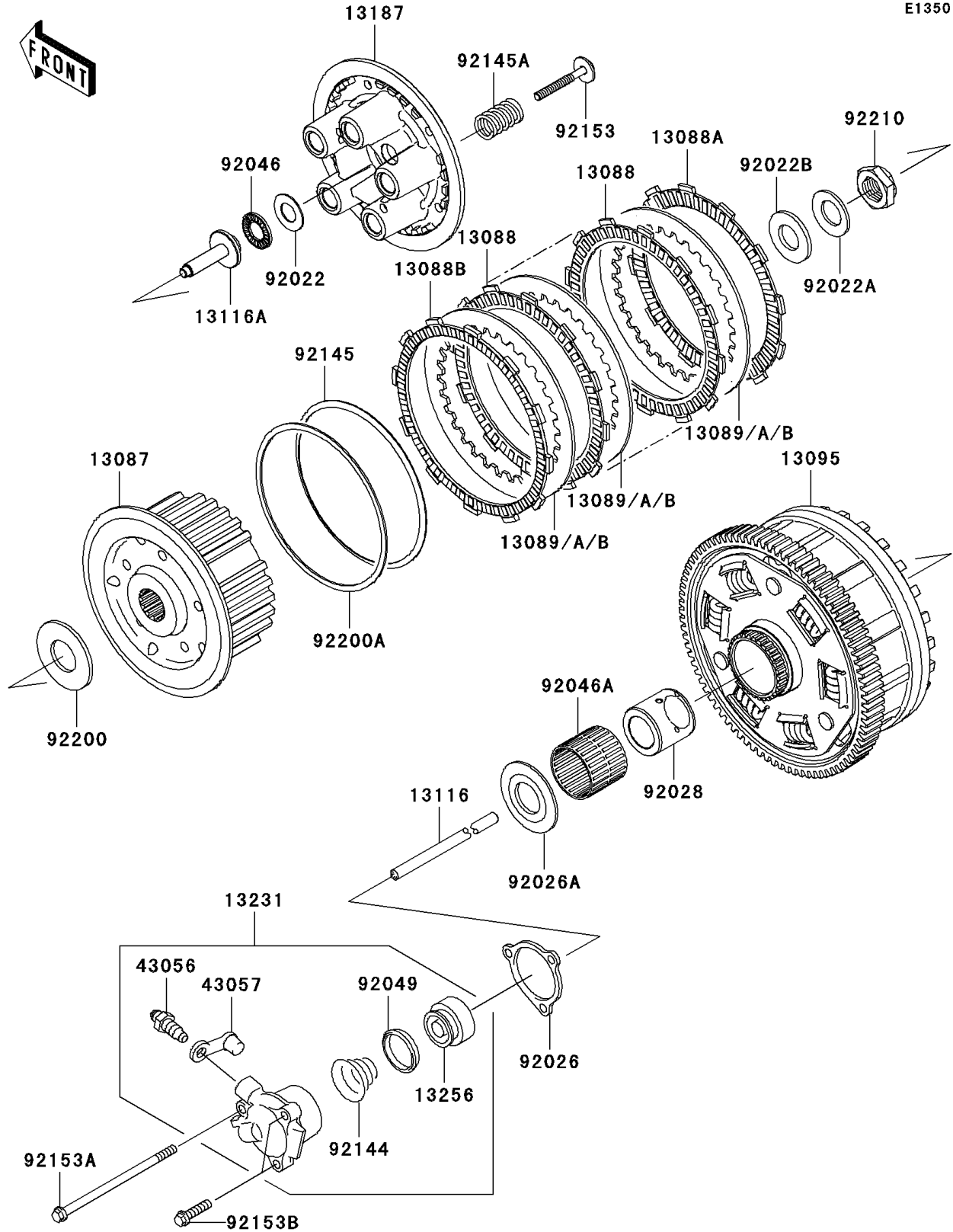


# 2010 Ninja® ZX™-14 PARTS DIAGRAM

Clutch

E1350



## 2010 Ninja® ZX™-14 PARTS LIST

### Clutch

ITEM NAME	PART NUMBER	QUANTITY
HUB-CLUTCH (Ref # 13087)	13087-0028	1
PLATE-FRICTION (Ref # 13088)	13088-0030	8
PLATE-FRICTION (Ref # 13088A)	13088-0031	1
PLATE-FRICTION (Ref # 13088B)	13088-0032	1
PLATE-CLUTCH,T=2.6 (Ref # 13089)	13089-0018	9
PLATE-CLUTCH,T=2.3 (Ref # 13089A)	13089-0019	AR
PLATE-CLUTCH,T=2.9 (Ref # 13089B)	13089-0020	AR
HOUSING-COMP-CLUTCH (Ref # 13095)	13095-0088	1
ROD-PUSH (Ref # 13116)	13116-0016	1
ROD-PUSH,CLUTCH (Ref # 13116A)	13116-1102	1
PLATE-CLUTCH OPERATING (Ref # 13187)	13187-0010	1
RELEASE-ASSY-CLUTCH (Ref # 13231)	13231-0002	1
PISTON (Ref # 13256)	13256-0004	1
BREATHER (Ref # 43056)	43056-1055	1
CAP-BREATHER (Ref # 43057)	43057-1001	1
WASHER,15.1X29X1.0 (Ref # 92022)	92022-1463	1
WASHER,20.3X36X3.7 (Ref # 92022A)	92022-1868	1
WASHER,20.2X40X3.2 (Ref # 92022B)	92022-2207	1
SPACER,CLUTCH RELEASE (Ref # 92026)	92026-1263	1
SPACER (Ref # 92026A)	92026-1497	1
BUSHING (Ref # 92028)	92028-1934	1
BEARING-NEEDLE,AXK1102 (Ref # 92046)	92046-1052	1
BEARING-NEEDLE (Ref # 92046A)	92046-1267	1
SEAL-OIL (Ref # 92049)	92049-0086	1
SPRING,CLUTCH RELEASE (Ref # 92144)	92144-1084	1
SPRING,JUDDER (Ref # 92145)	92145-0369	1
SPRING,CLUTCH (Ref # 92145A)	92145-0426	5
BOLT,UPSET-WP,6X50 (Ref # 92153)	92153-1310	5
BOLT,FLANGED-SMALL,6X115 (Ref # 92153A)	92153-1564	1

## 2010 Ninja® ZX™-14 PARTS LIST

### Clutch

ITEM NAME	PART NUMBER	QUANTITY
BOLT,FLANGED-SMALL,6X25 (Ref # 92153B)	92153-1565	2
WASHER,25.3X54X3.0 (Ref # 92200)	92200-0262	1
WASHER,124.3X133X1.4 (Ref # 92200A)	92200-0289	1
NUT,20X1.5 (Ref # 92210)	92210-0236	1