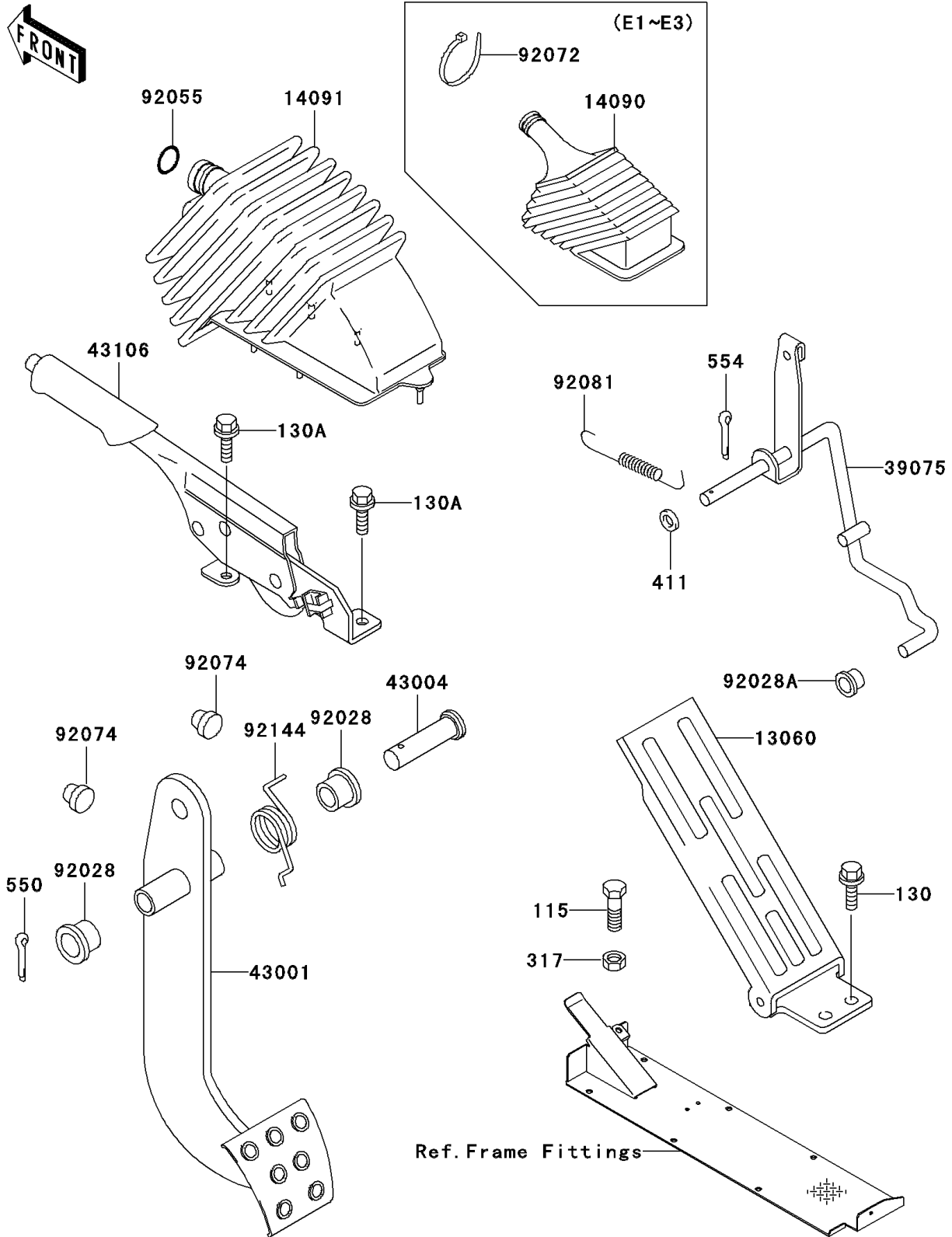


# Mule 3010 4X4 PARTS DIAGRAM

Brake Pedal/Throttle Lever

F2260



# Mule 3010 4X4 PARTS LIST

## Brake Pedal/Throttle Lever

ITEM NAME	PART NUMBER	QUANTITY
BOLT-SMALL-UPSET,8X40 (Ref # 115)	115D0840	1
BOLT-FLANGED,6X12 (Ref # 130)	130C0612	2
BOLT-FLANGED (Ref # 130A)	130D0816	2
NUT-HEX-SMALL,8MM (Ref # 317)	317H0800	1
WASHER-PLAIN,10MM (Ref # 411)	411E1000	1
PIN-COTTER,2.5X25 (Ref # 550)	550D2525	1
PIN-SNAP,10MM (Ref # 554)	554A1000	1
PEDAL,THROTTLE (Ref # 13060)	13060-1061	1
COVER,PARKING LEVER (Ref # 14090)	14090-1992	1
LEVER-THROTTLE (Ref # 39075)	39075-1057	1
LEVER-BRAKE,PEDAL (Ref # 43001)	43001-1320	1
SHAFT-BRAKE (Ref # 43004)	43004-1128	1
LEVER-ASSY-PARKING BRAKE (Ref # 43106)	43106-1005	1
BUSHING (Ref # 92028)	92028-1571	2
BUSHING,THROTTLE LEVER (Ref # 92028A)	92028-1601	1
BAND,L=188 (Ref # 92072)	92072-1239	1
PLUG,7X2 (Ref # 92074)	92074-028	2
SPRING,BRAKE LEVER RETURN (Ref # 92081)	92081-1922	1
SPRING (Ref # 92144)	92144-1536	1