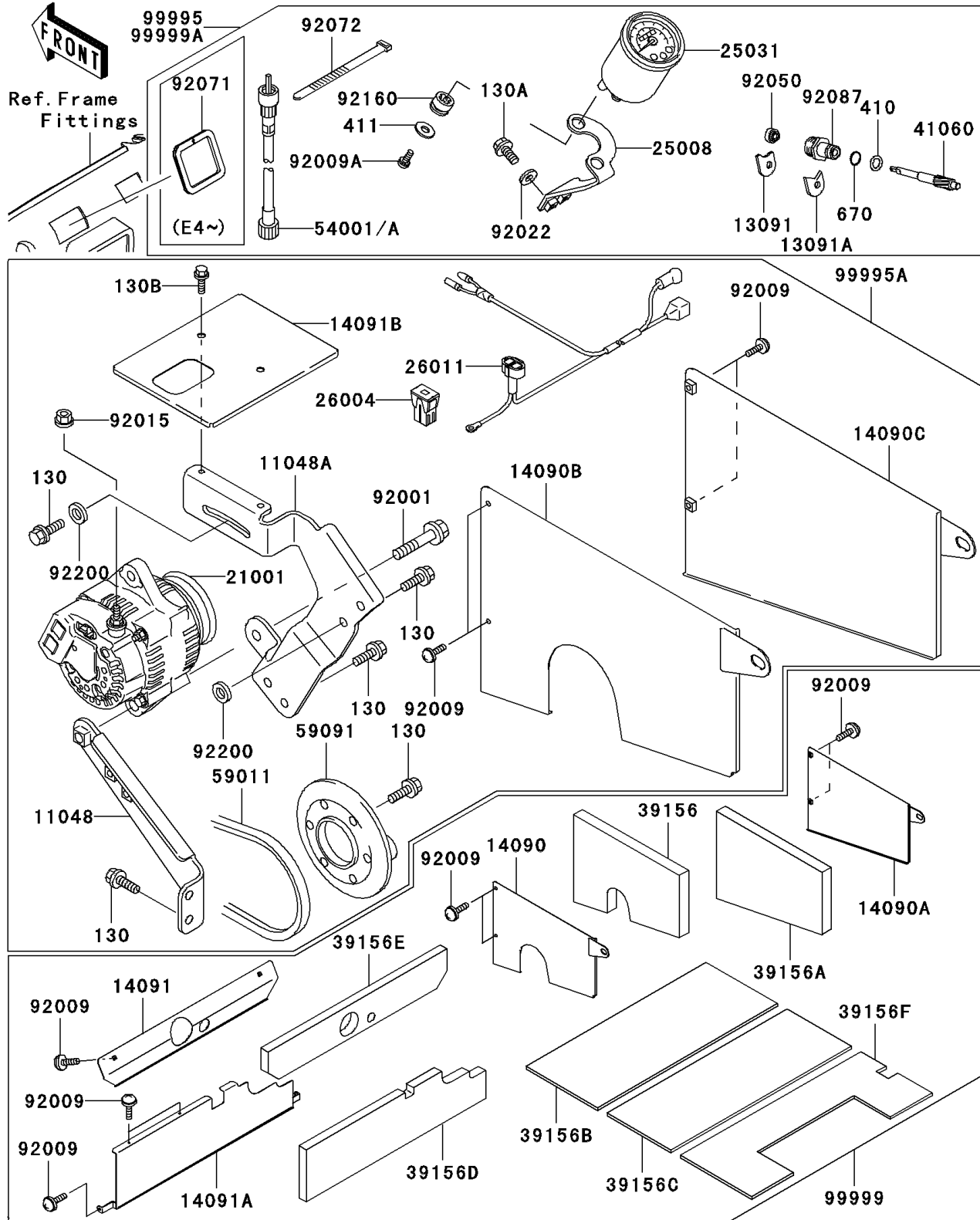


Mule 3010 4X4 PARTS DIAGRAM

Optional Parts

F2890



Mule 3010 4X4 PARTS LIST

Optional Parts

ITEM NAME	PART NUMBER	QUANTITY
BRACKET,ENGINE,LWR (Ref # 11048)	11048-1243	1
BRACKET,GENERATOR (Ref # 11048A)	11048-1244	1
HOLDER,T=2.3 (Ref # 13091)	13091-1008	1
HOLDER,T=3.2 (Ref # 13091A)	13091-1009	1
COVER,ENCLOSURE,LH (Ref # 14090)	14090-1260	1
COVER,ENCLOSURE,RH (Ref # 14090A)	14090-1261	1
COVER,ENCLOSURE,LH (Ref # 14090B)	14090-1354	1
COVER,ENCLOSURE,RH (Ref # 14090C)	14090-1355	1
COVER,SEAT BACK (Ref # 14091)	14091-1237	1
COVER,SEAT UNDER (Ref # 14091A)	14091-1359	1
COVER,GENERATOR (Ref # 14091B)	14091-1377	1
GENERATOR (Ref # 21001)	21001-1129	1
BRACKET-METER (Ref # 25008)	25008-1228	1
METER-ASSY,MPH (Ref # 25031)	25031-1190	1
FUSE-ASSY,50A (Ref # 26004)	26004-1096	1
WIRE-LEAD,GENERATOR (Ref # 26011)	26011-1758	1
PAD,ENCLOSURE COVER,LH (Ref # 39156)	39156-1301	1
PAD,ENCLOSURE COVER,RH (Ref # 39156A)	39156-1302	1
PAD,CARRIER,FR (Ref # 39156B)	39156-1304	1
PAD,CARRIER,CNT (Ref # 39156C)	39156-1305	1
PAD,SEAT UNDER (Ref # 39156D)	39156-1678	1
PAD,SEAT BACK (Ref # 39156E)	39156-1679	1
PAD,CARRIER,RR (Ref # 39156F)	39156-1680	1
GEAR-METER SCREW (Ref # 41060)	41060-1148	1
CABLE-SPEEDOMETER (Ref # 54001A)	54001-1248	1
BELT (Ref # 59011)	59011-2056	1
PULLEY (Ref # 59091)	59091-2053	1
BOLT,BLACK,10X47 (Ref # 92001)	92001-1522	1
SCREW,6X16 (Ref # 92009)	92009-1621	14

Mule 3010 4X4 PARTS LIST

Optional Parts

ITEM NAME	PART NUMBER	QUANTITY
SCREW,5X12 (Ref # 92009A)	92009-3740	2
NUT,FLANGED,6MM (Ref # 92015)	92015-1367	1
WASHER,6.5X16X1.0 (Ref # 92022)	92022-1093	2
SEAL-OIL (Ref # 92050)	92050-075	1
BAND,L=140 (Ref # 92072)	92072-1293	4
BUSHING-METER GEAR (Ref # 92087)	92087-010	1
DAMPER (Ref # 92160)	92160-1461	2
WASHER,8.5X20X2.3 (Ref # 92200)	92200-1055	3
KIT.,SPEEDOMETER (Ref # 99995)	99995-1480	1
KIT.,ALTERNATOR (Ref # 99995A)	99995-1481	1
KIT.,ENCLOSURE (Ref # 99999)	99999-1071	1
BOLT-FLANGED,8X20 (Ref # 130)	130H0820	10
BOLT-FLANGED,6X14,BLACK (Ref # 130A)	130J0614	2
BOLT-FLANGED (Ref # 130B)	130L0608	2
WASHER-PLAIN-SMALL,6MM (Ref # 410)	410B0600	1
WASHER-PLAIN,8MM (Ref # 411)	411B0800	2
O RING,10MM (Ref # 670)	670D1510	1