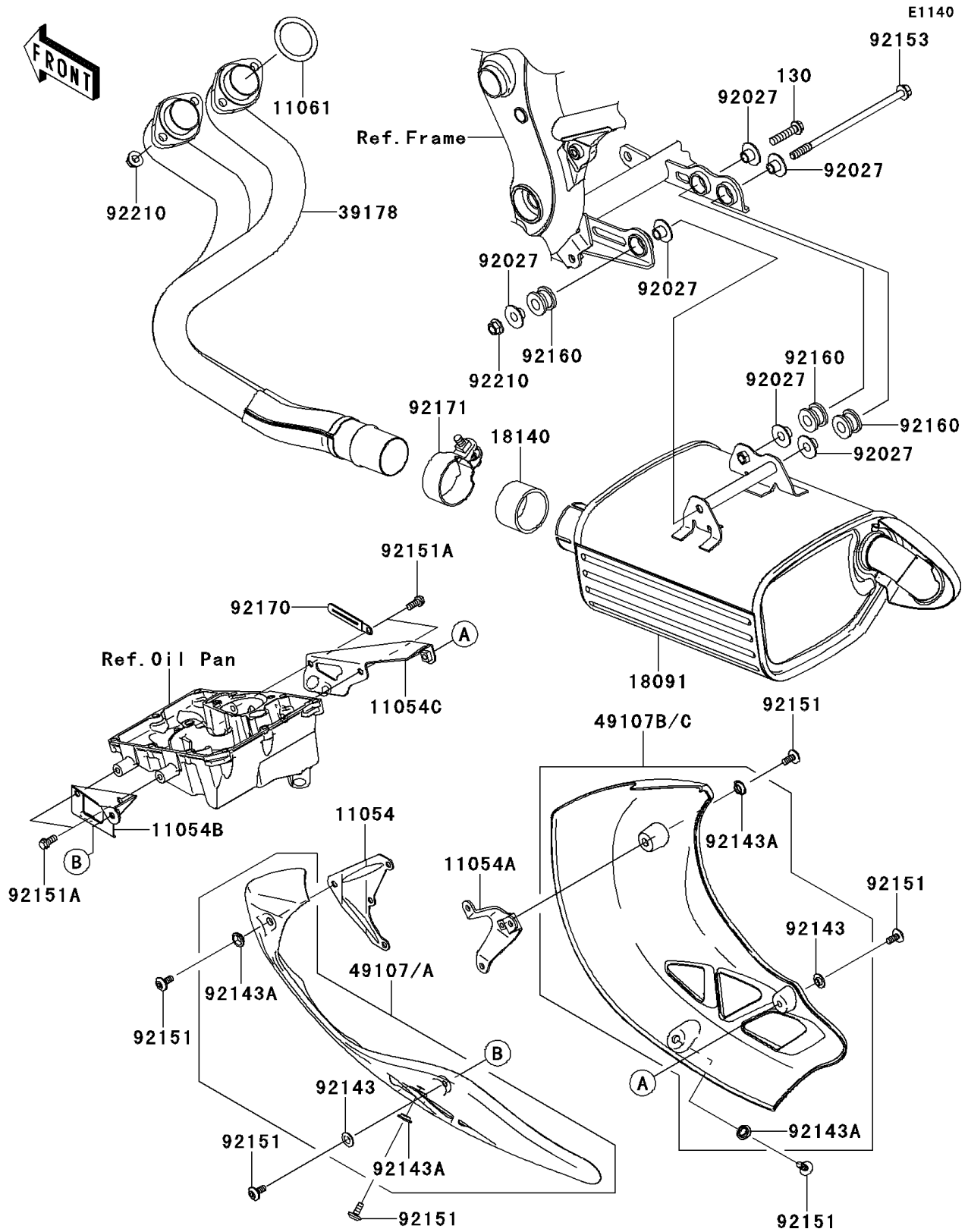


2009 Versys™ PARTS DIAGRAM

Muffler(s)



2009 Versys™ PARTS LIST

Muffler(s)

ITEM NAME	PART NUMBER	QUANTITY
BOLT-FLANGED,8X35 (Ref # 130)	130CD0835	1
BRACKET,EX.COVER,UPP,LH (Ref # 11054)	11054-0420	1
BRACKET,EX.COVER,UPP,RH (Ref # 11054A)	11054-0421	1
BRACKET,EX.COVER,LWR,LH (Ref # 11054B)	11054-0485	1
BRACKET,EX.COVER,LWR,RH (Ref # 11054C)	11054-0486	1
GASKET,EXHAUST PIPE (Ref # 11061)	11061-0278	2
BODY-COMP-MUFFLER,US&EU (Ref # 18091)	18091-0424	1
GASKET-MUFFLER (Ref # 18140)	18140-0002	1
MANIFOLD-COMP-EXHAUST (Ref # 39178)	39178-0062	1
COVER-EXHAUST PIPE,LH,P.SILVER (Ref # 49107)	49107-0081-458	1
COVER-EXHAUST PIPE,LH,F.BLACK (Ref # 49107A)	49107-0081-6Z	1
COVER-EXHAUST PIPE,RH,P.SILVER (Ref # 49107B)	49107-0082-458	1
COVER-EXHAUST PIPE,RH,F.BLACK (Ref # 49107C)	49107-0082-6Z	1
COLLAR,FLANGED,8.8X10.6 (Ref # 92027)	92027-1653	6
COLLAR (Ref # 92143)	92143-1087	2
COLLAR (Ref # 92143A)	92143-1196	4
BOLT,SOCKET,6X14 (Ref # 92151)	92151-1654	6
BOLT,FLANGED,6X14 (Ref # 92151A)	92151-1755	4
BOLT,FLANGED,8X165 (Ref # 92153)	92153-1357	1
DAMPER,MUFFLER MOUNT (Ref # 92160)	92160-1116	3
CLAMP (Ref # 92170)	92170-1514	1
CLAMP (Ref # 92171)	92171-1568	1
NUT,8MM (Ref # 92210)	92210-1114	5