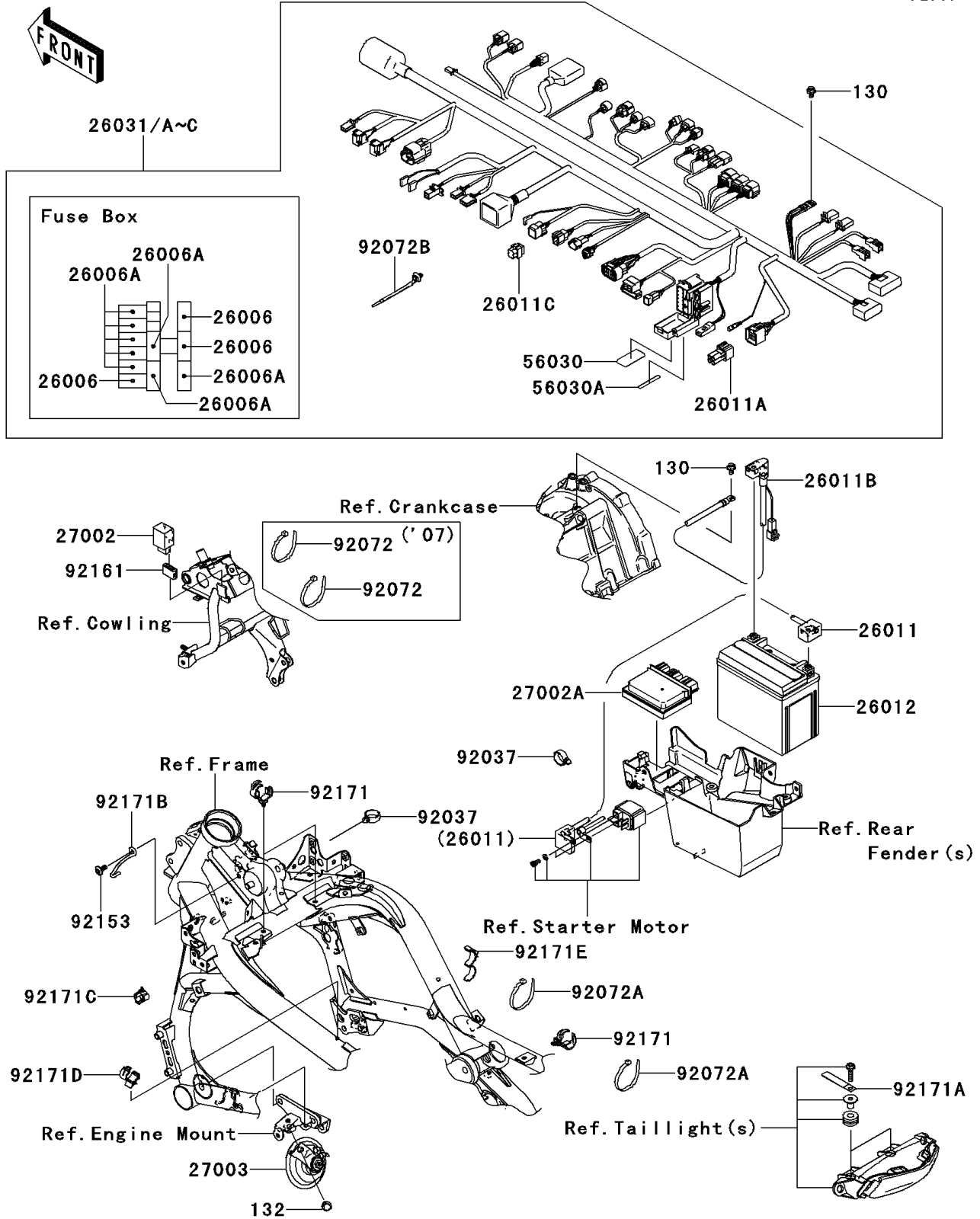


# 2008 Versys™ PARTS DIAGRAM

Chassis Electrical Equipment

F2760



## 2008 Versys™ PARTS LIST

### Chassis Electrical Equipment

ITEM NAME	PART NUMBER	QUANTITY
BOLT-FLANGED,6X10 (Ref # 130)	130BA0610	2
BOLT-FLANGED-SMALL,8X12 (Ref # 132)	132BB0812	1
FUSE,15A (Ref # 26006)	26006-0001	3
FUSE,10A (Ref # 26006A)	26006-1078	8
WIRE-LEAD,BATTERY(+) (Ref # 26011)	26011-0073	1
WIRE-LEAD (Ref # 26011A)	26011-0082	1
WIRE-LEAD,BATTERY(-) (Ref # 26011B)	26011-0099	1
WIRE-LEAD,SENSOR CONNECTOR (Ref # 26011C)	26011-0101	1
BATTERY,YTX12-BS,12V 10AH (Ref # 26012)	26012-0094	1
HARNESS,MAIN (Ref # 26031B)	26031-0605	1
RELAY-ASSY,SIGNAL LAMP (Ref # 27002)	27002-0006	1
RELAY-ASSY (Ref # 27002A)	27002-0007	1
HORN (Ref # 27003)	27003-0051	1
LABEL,FUSE BOX (Ref # 56030)	56030-0046	1
LABEL,FUSE BOX (Ref # 56030A)	56030-0098	1
CLAMP,HOSE (Ref # 92037)	92037-1827	2
BAND,L=365 (Ref # 92072A)	92072-1197	2
BAND (Ref # 92072B)	92072-1414	11
BOLT,SOCKET,6X14 (Ref # 92153)	92153-1446	1
DAMPER,SIGNAL RELAY (Ref # 92161)	92161-0283	1
CLAMP,DIA=20 (Ref # 92171)	92171-0069	3
CLAMP (Ref # 92171A)	92171-0652	2
CLAMP,HARNESS (Ref # 92171B)	92171-0657	1
CLAMP,DIA=13 (Ref # 92171C)	92171-1415	1
CLAMP,DIA=15 (Ref # 92171D)	92171-1424	1
CLAMP,DIA=25 (Ref # 92171E)	92171-1559	1