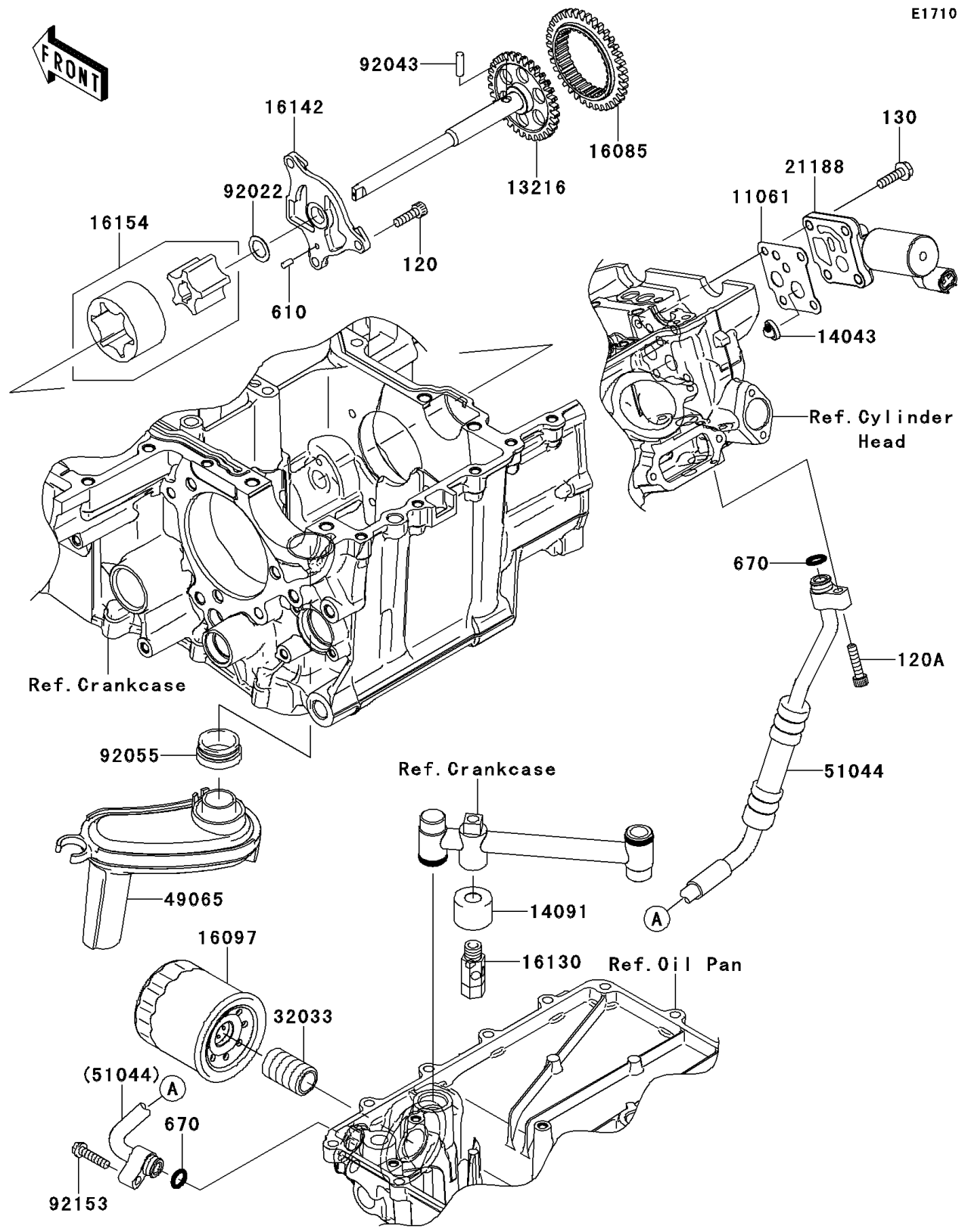


2010 Concours™ 14 PARTS DIAGRAM

Oil Pump/Oil Filter

E1710



2010 Concours™ 14 PARTS LIST

Oil Pump/Oil Filter

| ITEM NAME | PART NUMBER | QUANTITY |
|----------------------------------|-------------|----------|
| BOLT-SOCKET,6X20 (Ref # 120) | 120CA0620 | 3 |
| BOLT-SOCKET,6X25 (Ref # 120A) | 120CA0625 | 1 |
| BOLT-FLANGED,6X22 (Ref # 130) | 130BA0622 | 4 |
| ROLLER,4X8 (Ref # 610) | 610A0408 | 1 |
| O RING,10.8X2.4 (Ref # 670) | 670D2011 | 2 |
| GASKET,SOLENOID (Ref # 11061) | 11061-0419 | 1 |
| GEAR-COMP,OIL PUMP (Ref # 13216) | 13216-0024 | 1 |
| FILTER,ELEMENT (Ref # 14043) | 14043-0009 | 1 |
| COVER,VALVE (Ref # 14091) | 14091-0497 | 1 |
| GEAR (Ref # 16085) | 16085-0103 | 1 |
| FILTER-ASSY-OIL (Ref # 16097) | 16097-0004 | 1 |
| VALVE-ASSY-RELIEF (Ref # 16130) | 16130-1059 | 1 |
| COVER-PUMP (Ref # 16142) | 16142-0027 | 1 |
| ROTOR-PUMP (Ref # 16154) | 16154-0047 | 1 |
| SOLENOID,VVT (Ref # 21188) | 21188-0006 | 1 |
| PIPE,OIL FILTER (Ref # 32033) | 32033-1535 | 1 |
| FILTER-OIL (Ref # 49065) | 49065-0014 | 1 |
| TUBE-ASSY,EG OIL (Ref # 51044) | 51044-0049 | 1 |
| WASHER,13.2X20X0.5 (Ref # 92022) | 92022-1224 | 1 |
| PIN,17.9X5.0 (Ref # 92043) | 92043-1444 | 1 |
| RING-O,OIL FILTER (Ref # 92055) | 92055-1503 | 1 |
| BOLT,FLANGED,6X25 (Ref # 92153) | 92153-1795 | 1 |