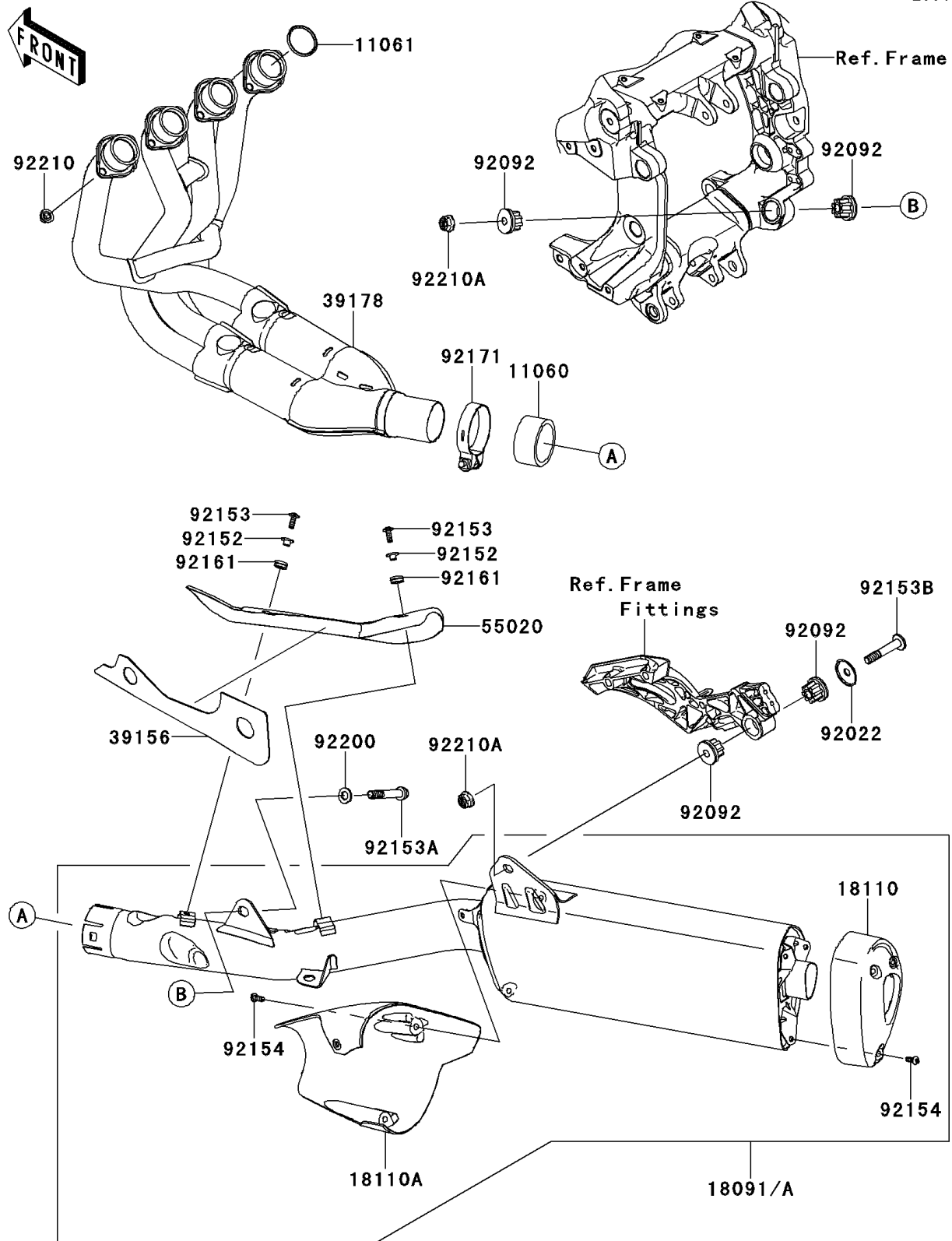


# 2011 CONCOURS® 14 ABS PARTS DIAGRAM

Muffler(s)

E1140



# 2011 CONCOURS® 14 ABS PARTS LIST

Muffler(s)

ITEM NAME	PART NUMBER	QUANTITY
-----------	-------------	----------