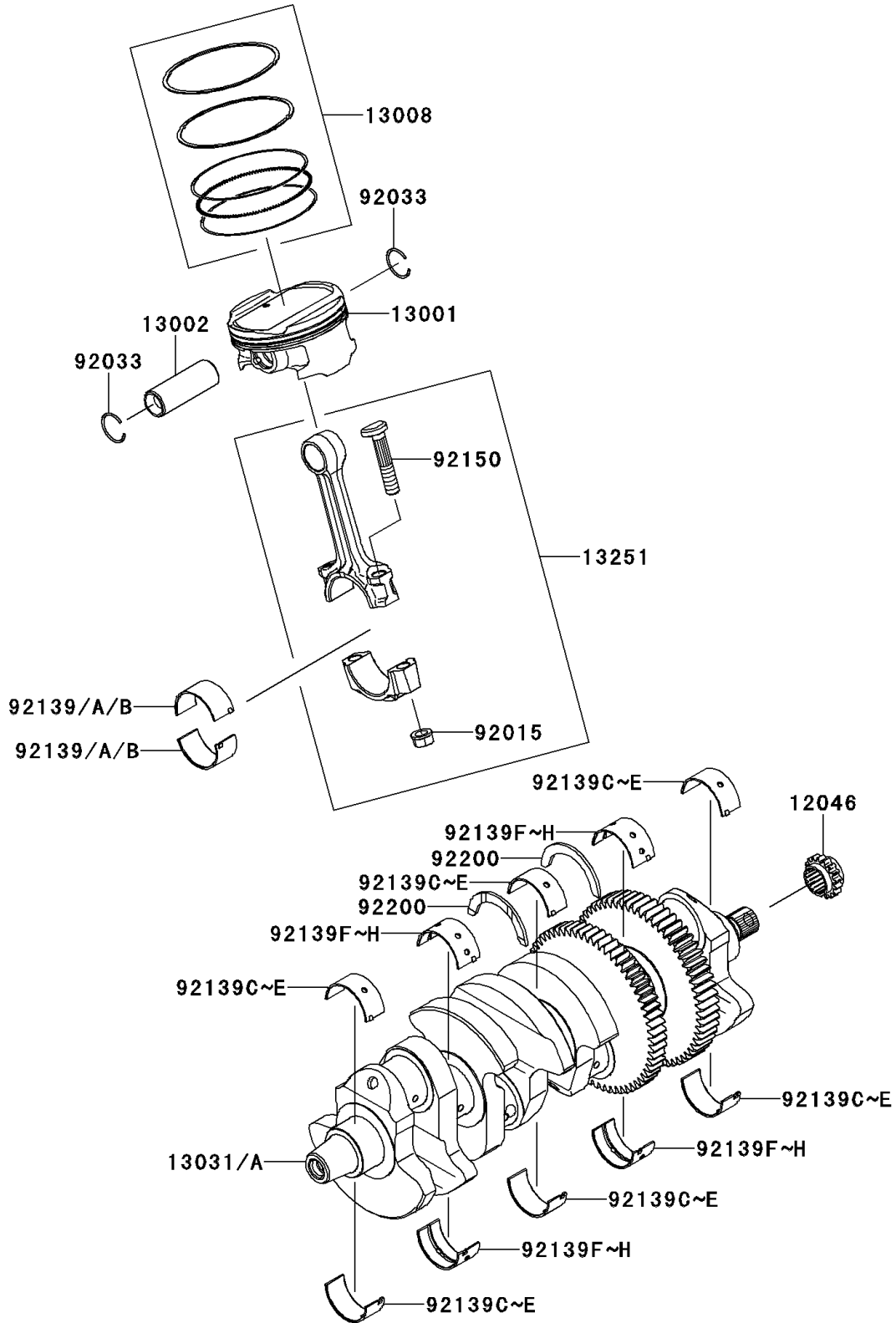


2013 CONCOURS® 14 ABS PARTS DIAGRAM

Crankshaft/Piston(s)

E1320



2013 CONCOURS® 14 ABS PARTS LIST

Crankshaft/Piston(s)

ITEM NAME	PART NUMBER	QUANTITY
SPROCKET,17T (Ref # 12046)	12046-0052	1
PISTON-ENGINE (Ref # 13001)	13001-0109	4
PIN-PISTON (Ref # 13002)	13002-0010	4
RING-SET-PISTON (Ref # 13008)	13008-0027	4
CRANKSHAFT-COMP (Ref # 13031A)	13031-0098	1
ROD-ASSY-CONNECTING,JJ (Ref # 13251)	13251-0025-JJ	4
NUT,CONNECTING ROD (Ref # 92015)	92015-1559	8
RING-SNAP (Ref # 92033)	92033-1207	8
BUSHING,CON-ROD,BLUE (Ref # 92139)	92139-0129	8
BUSHING,CON-ROD,BLACK (Ref # 92139A)	92139-0130	AR
BUSHING,CON-ROD,BROWN (Ref # 92139B)	92139-0131	AR
BUSHING,CRANK #1,BLUE (Ref # 92139C)	92139-0132	6
BUSHING,CRANK #1,BLACK (Ref # 92139D)	92139-0133	AR
BUSHING,CRANK #1,BROWN (Ref # 92139E)	92139-0134	AR
BUSHING,CRANK #2,BLUE (Ref # 92139F)	92139-0135	4
BUSHING,CRANK #2,BLACK (Ref # 92139G)	92139-0136	AR
BUSHING,CRANK #2,BROWN (Ref # 92139H)	92139-0137	AR
BOLT,CONNECTING ROD,9MM (Ref # 92150)	92150-1362	8
WASHER,T=2.5 (Ref # 92200)	92200-0331	2