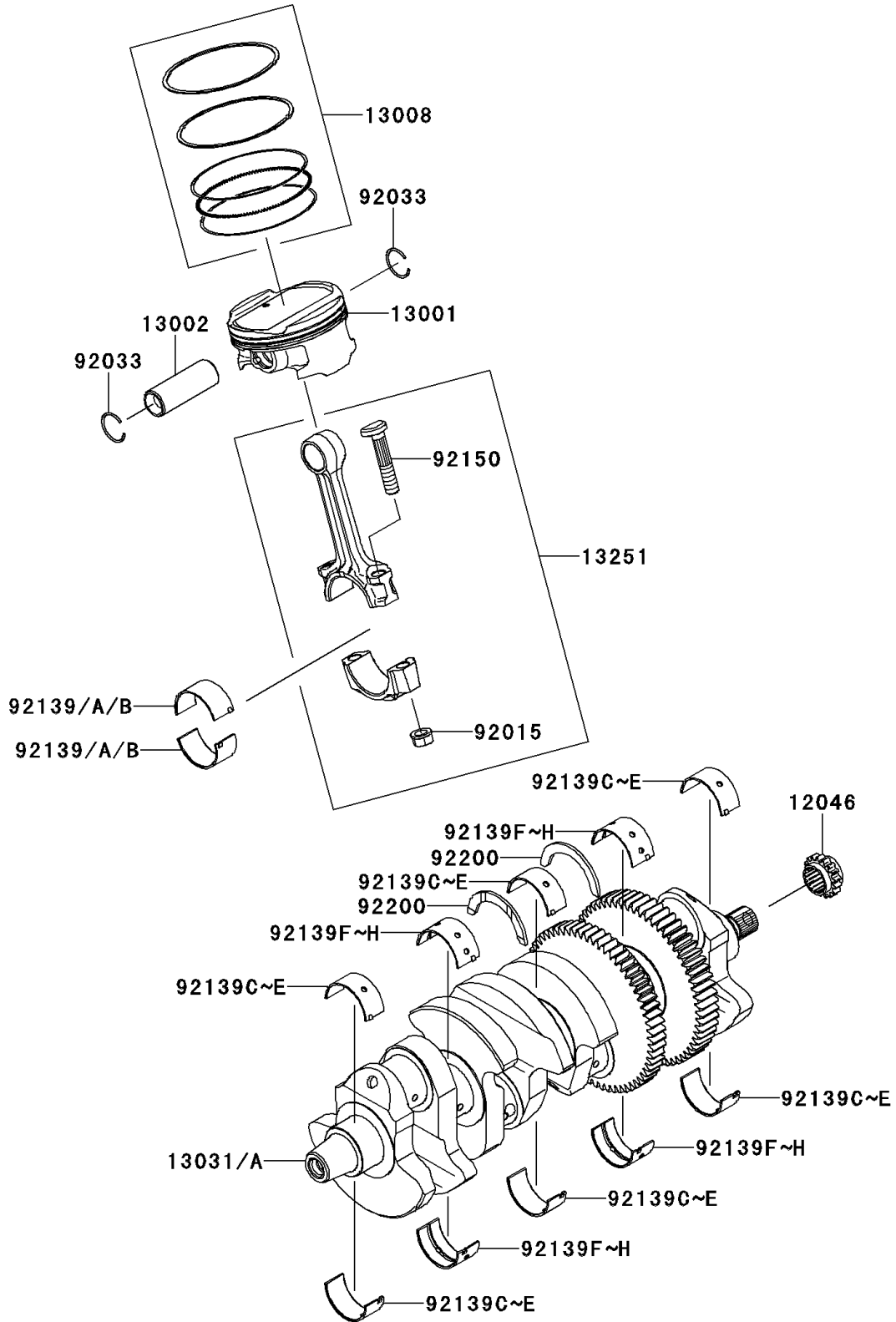


# 2014 CONCOURS® 14 ABS PARTS DIAGRAM

Crankshaft/Piston(s)

E1320



# 2014 CONCOURS® 14 ABS PARTS LIST

Crankshaft/Piston(s)

ITEM NAME	PART NUMBER	QUANTITY
-----------	-------------	----------