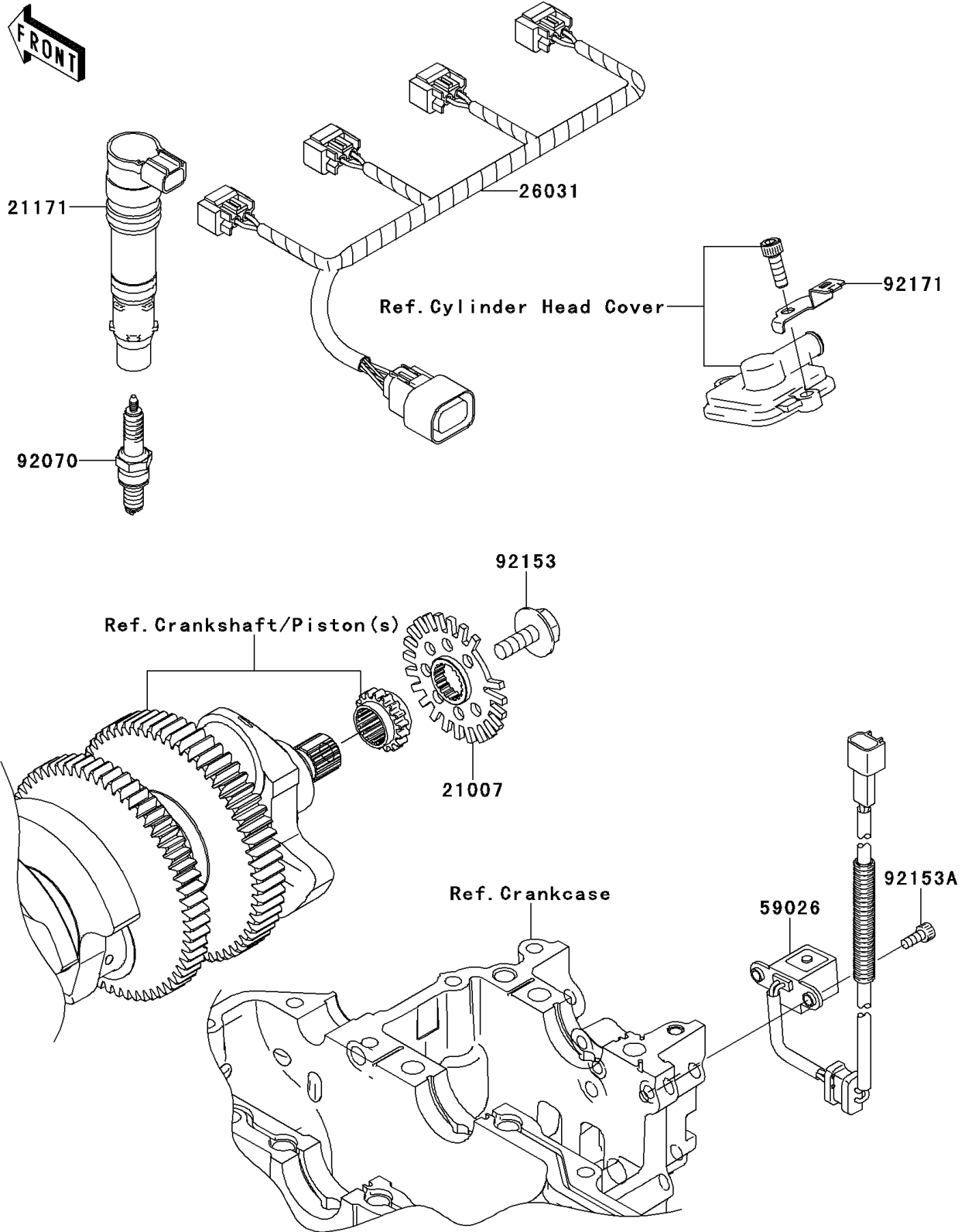


# 2013 CONCOURS® 14 ABS PARTS DIAGRAM

Ignition System

E1830



## 2013 CONCOURS® 14 ABS PARTS LIST

### Ignition System

ITEM NAME	PART NUMBER	QUANTITY
ROTOR (Ref # 21007)	21007-0066	1
COIL-ASSY-IGNITION (Ref # 21171)	21171-0005	4
HARNESS,SUB (Ref # 26031)	26031-0742	1
COIL-PULSING (Ref # 59026)	59026-0028	1
PLUG-SPARK,CR9EIA(NGK) (Ref # 92070)	92070-0014	4
BOLT,FLANGED,8X23 (Ref # 92153)	92153-0549	1
BOLT,SOCKET,5X12 (Ref # 92153A)	92153-1293	2
CLAMP (Ref # 92171)	92171-0524	1