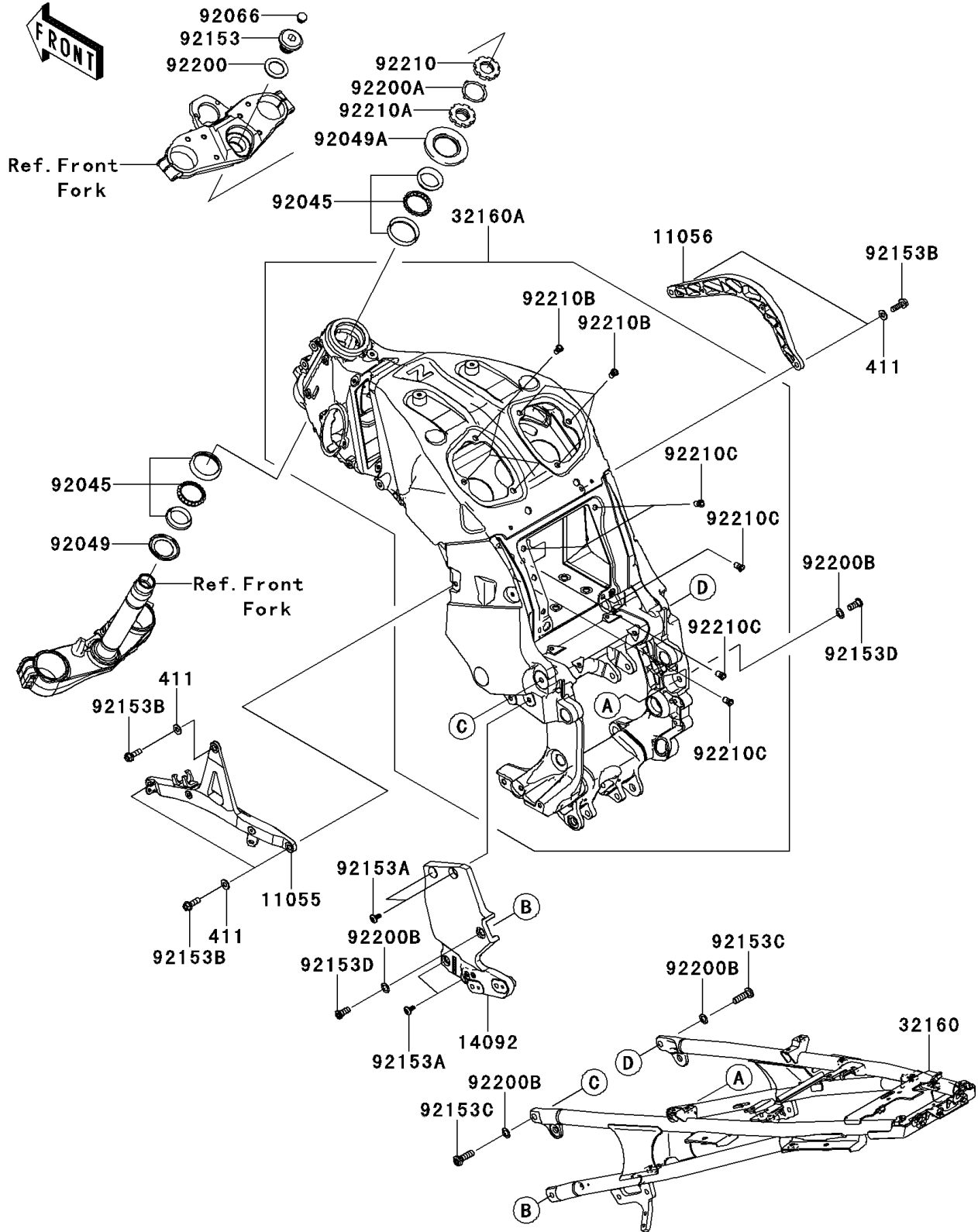


2013 CONCOURS® 14 ABS PARTS DIAGRAM

Frame

F2120



2013 CONCOURS® 14 ABS PARTS LIST

Frame

| ITEM NAME | PART NUMBER | QUANTITY |
|---|----------------|----------|
| WASHER-PLAIN (Ref # 411) | 411AA0800 | 5 |
| BRACKET,SUB FRAME,LH (Ref # 11055) | 11055-1755 | 1 |
| BRACKET,SUB FRAME,RH (Ref # 11056) | 11056-0038 | 1 |
| COVER,FRONT FRAME SHAFT,BLACK (Ref # 14092) | 14092-0089-18R | 1 |
| FRAME-COMP (Ref # 32160) | 32160-0472 | 1 |
| FRAME-COMP,FR (Ref # 32160A) | 32160-0474 | 1 |
| BEARING-BALL,SF07A17PX1V1 (Ref # 92045) | 92045-1384 | 2 |
| SEAL-OIL,DS35X55X4 (Ref # 92049) | 92049-0022 | 1 |
| SEAL-OIL,MX043N3 (Ref # 92049A) | 92049-0091 | 1 |
| PLUG (Ref # 92066) | 92066-0071 | 1 |
| BOLT,26MM (Ref # 92153) | 92153-0474 | 1 |
| BOLT,SOCKET,8X20 (Ref # 92153A) | 92153-1621 | 4 |
| BOLT,FLANGED,8X25 (Ref # 92153B) | 92153-1768 | 5 |
| BOLT,SOCKET,10X35 (Ref # 92153C) | 92153-1904 | 2 |
| BOLT,SOCKET,10X22 (Ref # 92153D) | 92153-1905 | 2 |
| WASHER,27X42X2.3 (Ref # 92200) | 92200-0081 | 1 |
| WASHER (Ref # 92200A) | 92200-0281 | 1 |
| WASHER,11X18X1 (Ref # 92200B) | 92200-0324 | 4 |
| NUT,35MM (Ref # 92210) | 92210-0095 | 1 |
| NUT,35MM (Ref # 92210A) | 92210-0096 | 1 |
| NUT,POP,6MM,L=16.5 (Ref # 92210B) | 92210-0324 | 6 |
| NUT,POP,6MM,L=15 (Ref # 92210C) | 92210-1397 | 7 |