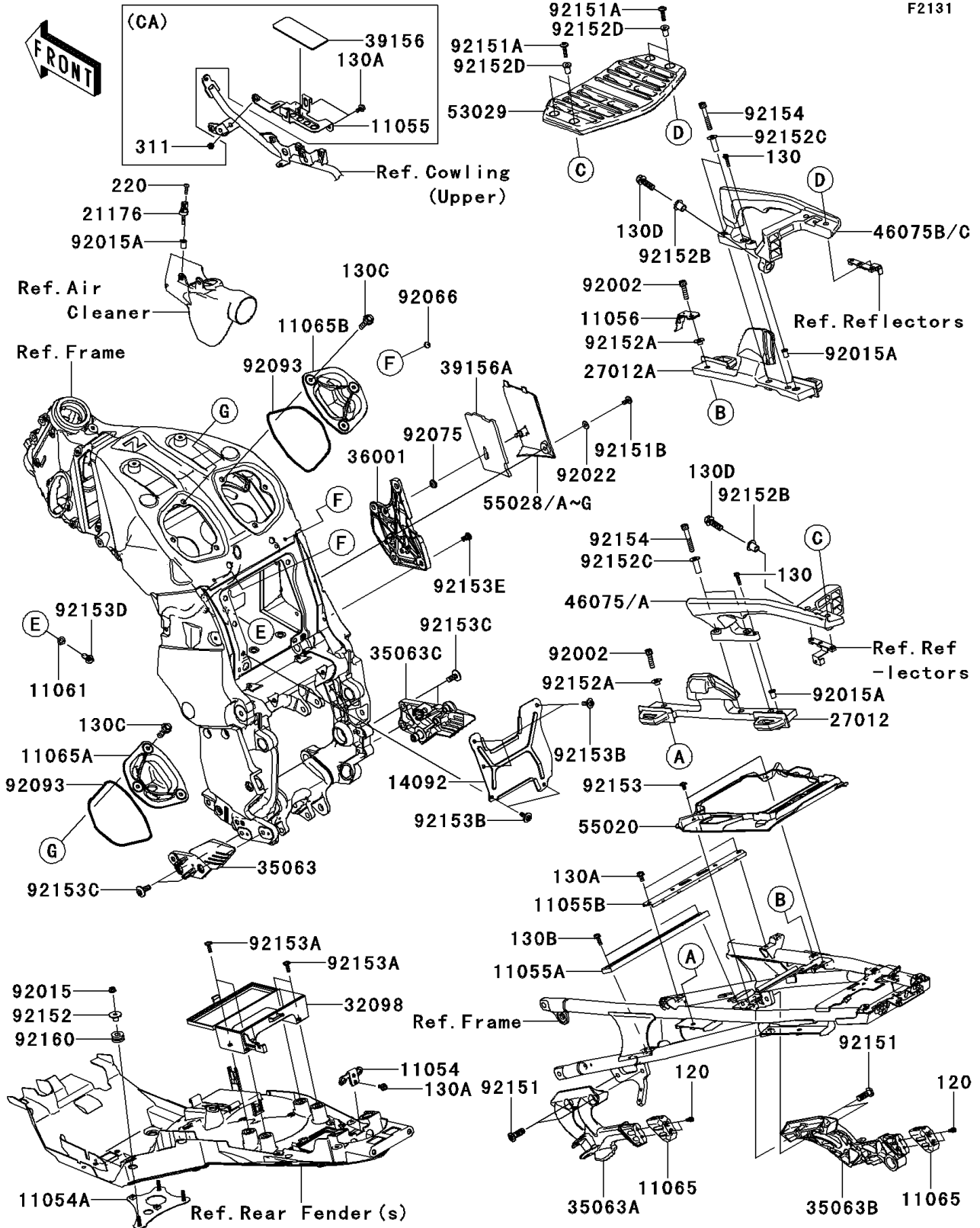


2010 Concours® 14 ABS PARTS DIAGRAM

Frame Fittings



F2131

2010 Concours® 14 ABS PARTS LIST

Frame Fittings

ITEM NAME	PART NUMBER	QUANTITY
BRACKET,DOWN SENSOR (Ref # 11054)	11054-1194	1
BRACKET,REGULATOR (Ref # 11054A)	11054-1197	1
BRACKET,RR FENDER,CROSS (Ref # 11055A)	11055-0129	1
BRACKET,FUEL TANK (Ref # 11055B)	11055-1890	1
BRACKET,SIGNAL LAMP RELAY (Ref # 11056)	11056-0063	1
GASKET (Ref # 11061)	11061-0107	1
CAP (Ref # 11065)	11065-0166	2
CAP,AIR CLEANER,LH (Ref # 11065A)	11065-0222	1
CAP,AIR CLEANER,RH (Ref # 11065B)	11065-0223	1
COVER,BACK BATTERY (Ref # 14092)	14092-0025	1
SENSOR,AIR TEMPERATURE (Ref # 21176)	21176-0048	1
HOOK,LH (Ref # 27012)	27012-0123	1
HOOK,RH (Ref # 27012A)	27012-0124	1
CASE-TOOL (Ref # 32098)	32098-0016	1
STAY,FR,LH,P.SILVER (Ref # 35063)	35063-0357-458	1
STAY,RR,LH,F.BLACK (Ref # 35063A)	35063-0359-W9	1
STAY,RR,RH,F.BLACK (Ref # 35063B)	35063-0360-W9	1
STAY,FR,RH,P.SILVER (Ref # 35063C)	35063-0637-458	1
COVER-SIDE,BATTERY,RH,BLACK (Ref # 36001)	36001-0188-18R	1
PAD,BATTERY COWLING (Ref # 39156A)	39156-0544	1
GRIP,TAIL,LH,P.SILVER (Ref # 46075A)	46075-0066-458	1
GRIP,TAIL,RH,P.SILVER (Ref # 46075C)	46075-0067-458	1
CARRIER (Ref # 53029)	53029-0076	1
GUARD,TAIL COVER (Ref # 55020)	55020-0410	1
COWLING,BATTERY,C.N.BLUE (Ref # 55028)	55028-0326-27Z	1
BOLT-SOCKET,5X12 (Ref # 120)	120CA0512	4
BOLT-FLANGED,5X25 (Ref # 130)	130BA0525	2
BOLT-FLANGED,6X16 (Ref # 130B)	130BA0616	2
BOLT-FLANGED,6X22 (Ref # 130C)	130BA0622	6

2010 Concours® 14 ABS PARTS LIST

Frame Fittings

ITEM NAME	PART NUMBER	QUANTITY
BOLT-FLANGED,10X35 (Ref # 130D)	130BA1035	2
SCREW-PAN-CROS,5X16 (Ref # 220)	220AB0516	1
BOLT,SOCKET,8X30 (Ref # 92002)	92002-1844	2
NUT,FLANGED,6MM (Ref # 92015)	92015-1367	3
NUT,WELL,5MM (Ref # 92015A)	92015-1757	3
WASHER,6.5X16X1 (Ref # 92022)	92022-1143	1
PLUG (Ref # 92066)	92066-1547	2
DAMPER (Ref # 92075)	92075-1011	1
SEAL (Ref # 92093)	92093-1507	2
BOLT,SOCKET,10X30 (Ref # 92151)	92151-1372	4
BOLT,SOCKET,6X25 (Ref # 92151A)	92151-1611	4
BOLT,SOCKET,6X14 (Ref # 92151B)	92151-1654	1
COLLAR (Ref # 92152)	92152-0365	3
COLLAR (Ref # 92152A)	92152-0532	2
COLLAR (Ref # 92152B)	92152-0534	2
COLLAR (Ref # 92152C)	92152-0610	4
COLLAR (Ref # 92152D)	92152-0627	4
BOLT,SOCKET,6X10 (Ref # 92153)	92153-0410	2
BOLT,6X18 (Ref # 92153A)	92153-0478	4
BOLT,6X16 (Ref # 92153B)	92153-1423	5
BOLT,SOCKET,8X20 (Ref # 92153C)	92153-1621	4
BOLT,FLANGED,6X14 (Ref # 92153D)	92153-1676	1
BOLT,SOCKET,8X15 (Ref # 92153E)	92153-1810	4
BOLT,SOCKET,8X50 (Ref # 92154)	92154-0344	4
DAMPER (Ref # 92160)	92160-1162	3
BRACKET,CANISTER (Ref # 11055)	11055-0112	1
PAD,CANISTER BRACKET (Ref # 39156)	39156-0330	1
BOLT-FLANGED,6X12 (Ref # 130A)	130BA0612	3
BOLT-FLANGED,6X12 (Ref # 130A)	130BA0612	5