

# 2010 Concours® 14 ABS PARTS DIAGRAM

Stand(s)

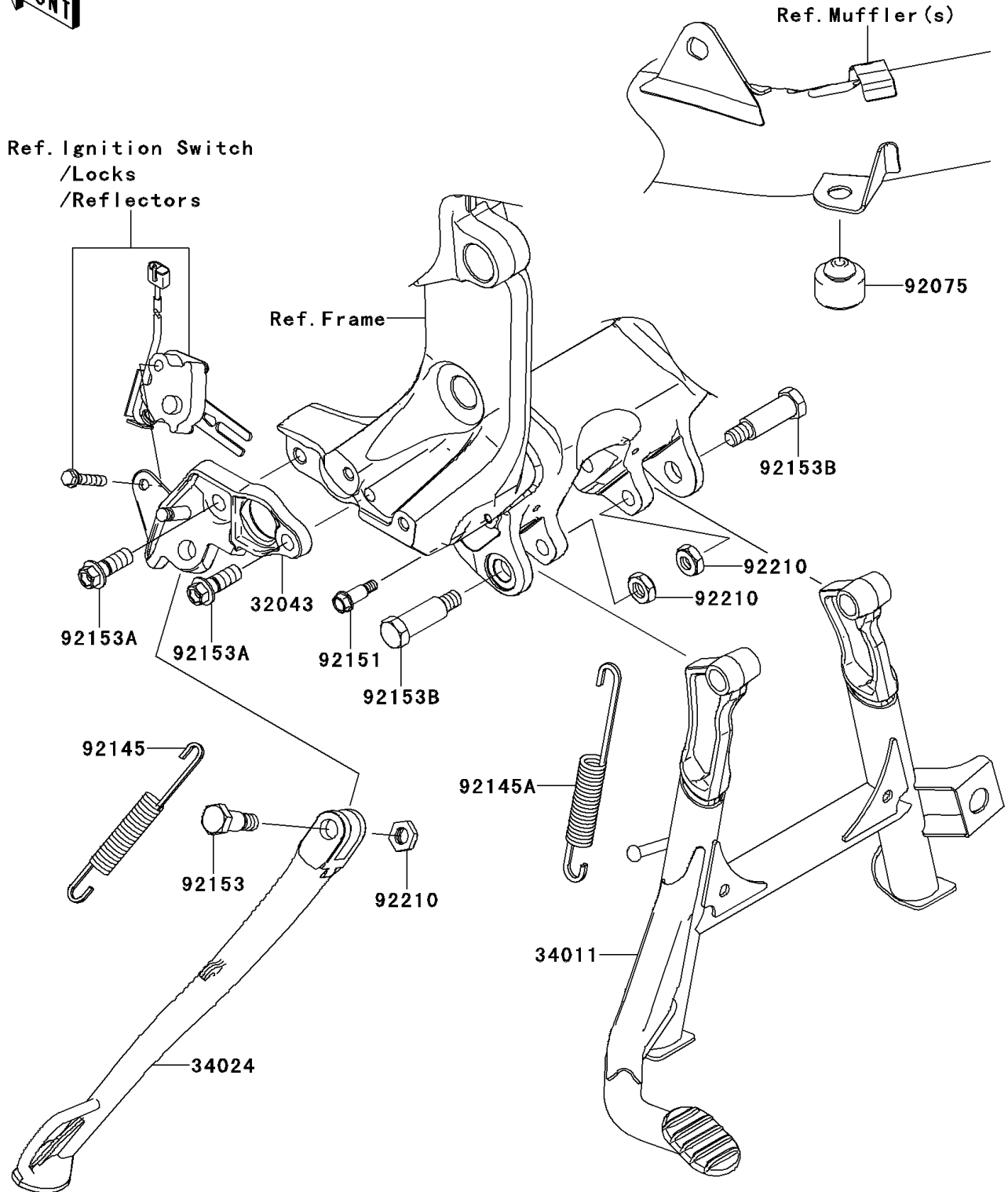
F2190



Ref. Ignition Switch  
/Locks  
/Reflectors

Ref. Muffler (s)

Ref. Frame



## 2010 Concours® 14 ABS PARTS LIST

Stand(s)

ITEM NAME	PART NUMBER	QUANTITY
BRACKET-STAND,SIDE,BLACK (Ref # 32043)	32043-0070-18R	1
STAND-CENTER (Ref # 34011)	34011-0024	1
STAND-SIDE,BLACK (Ref # 34024)	34024-0033-18R	1
DAMPER (Ref # 92075)	92075-015	1
SPRING,SIDE STAND (Ref # 92145)	92145-0562	1
SPRING,CENTER STAND (Ref # 92145A)	92145-1550	1
BOLT,6MM (Ref # 92151)	92151-1295	1
BOLT,SIDE STAND,10MM (Ref # 92153)	92153-1416	1
BOLT,FLANGED,10X28 (Ref # 92153A)	92153-1417	2
BOLT,CENTER STAND,10MM (Ref # 92153B)	92153-1593	2
NUT,LOCK,10MM (Ref # 92210)	92210-0278	3