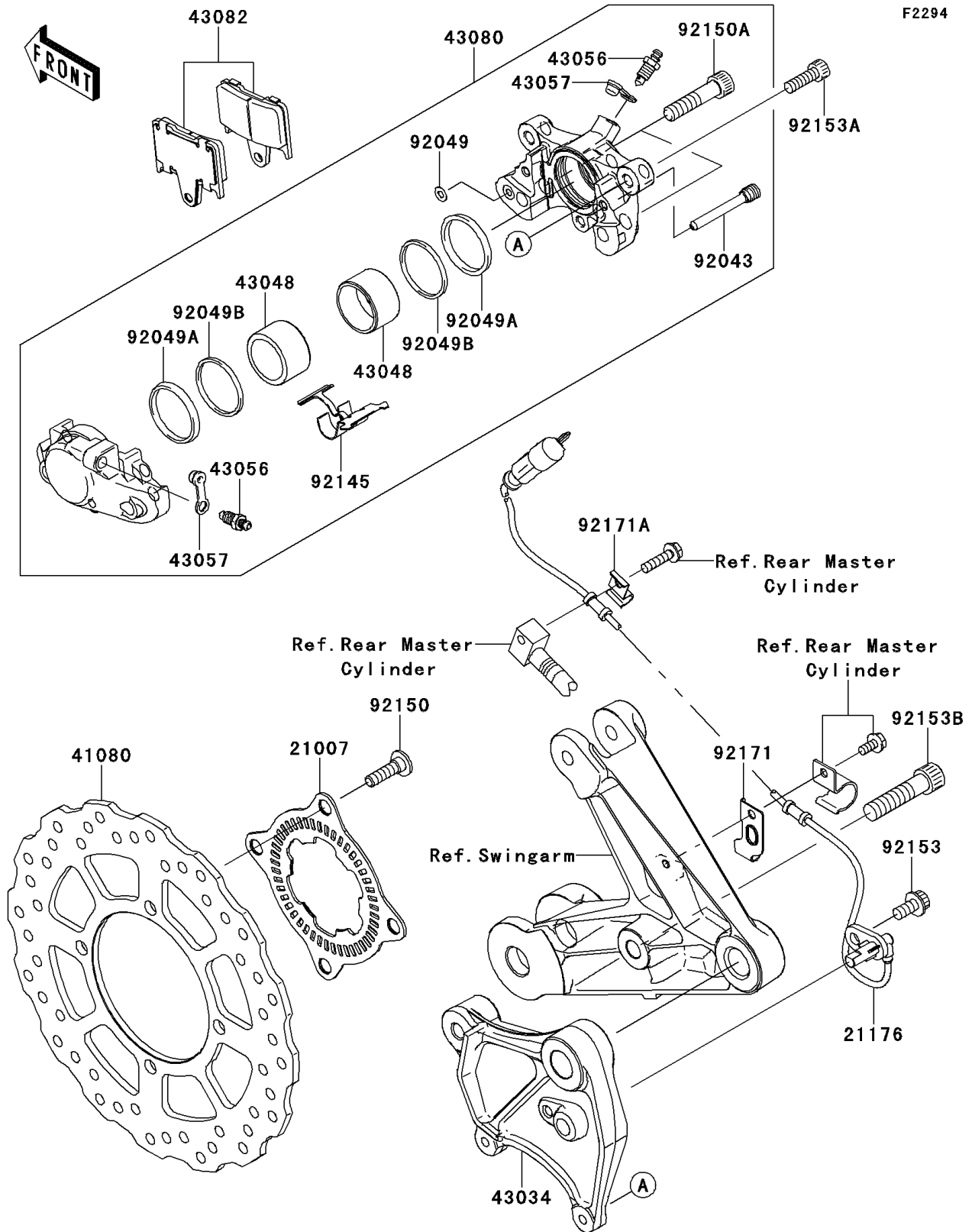


# 2014 CONCOURS® 14 ABS PARTS DIAGRAM

Rear Brake



## 2014 CONCOURS® 14 ABS PARTS LIST

### Rear Brake

| ITEM NAME                               | PART NUMBER   | QUANTITY |
|---|---------------|----------|
| ROTOR,SENSOR,RR (Ref # 21007)           | 21007-0141    | 1        |
| SENSOR,SPEED,RR (Ref # 21176)           | 21176-0131    | 1        |
| DISC,RR (Ref # 41080)                   | 41080-0106    | 1        |
| HOLDER-BRAKE,RR CALIPER (Ref # 43034)   | 43034-0058    | 1        |
| PISTON-CALIPER (Ref # 43048)            | 43048-0017    | 2        |
| BREATHER (Ref # 43056)                  | 43056-1055    | 2        |
| CAP-BREATHER (Ref # 43057)              | 43057-1001    | 2        |
| CALIPER-SUB-ASSY,RR,BLACK (Ref # 43080) | 43080-0088-DJ | 1        |
| PAD-ASSY-BRAKE (Ref # 43082)            | 43082-0055    | 1        |
| PIN,PAD (Ref # 92043)                   | 92043-0106    | 1        |
| SEAL-OIL (Ref # 92049)                  | 92049-1448    | 1        |
| SEAL-OIL (Ref # 92049A)                 | 92049-1449    | 2        |
| SEAL-OIL (Ref # 92049B)                 | 92049-1450    | 2        |
| SPRING,PAD (Ref # 92145)                | 92145-0379    | 1        |
| BOLT,SOCKET,8X30 (Ref # 92150)          | 92150-1771    | 4        |
| BOLT (Ref # 92150A)                     | 92150-1972    | 2        |
| BOLT,SOCKET,8X16 (Ref # 92153)          | 92153-0327    | 1        |
| BOLT,SOCKET,8X25 (Ref # 92153A)         | 92153-1625    | 2        |
| BOLT,SOCKET,12X50 (Ref # 92153B)        | 92153-1781    | 1        |
| CLAMP (Ref # 92171)                     | 92171-0881    | 1        |
| CLAMP (Ref # 92171A)                    | 92171-1702    | 1        |