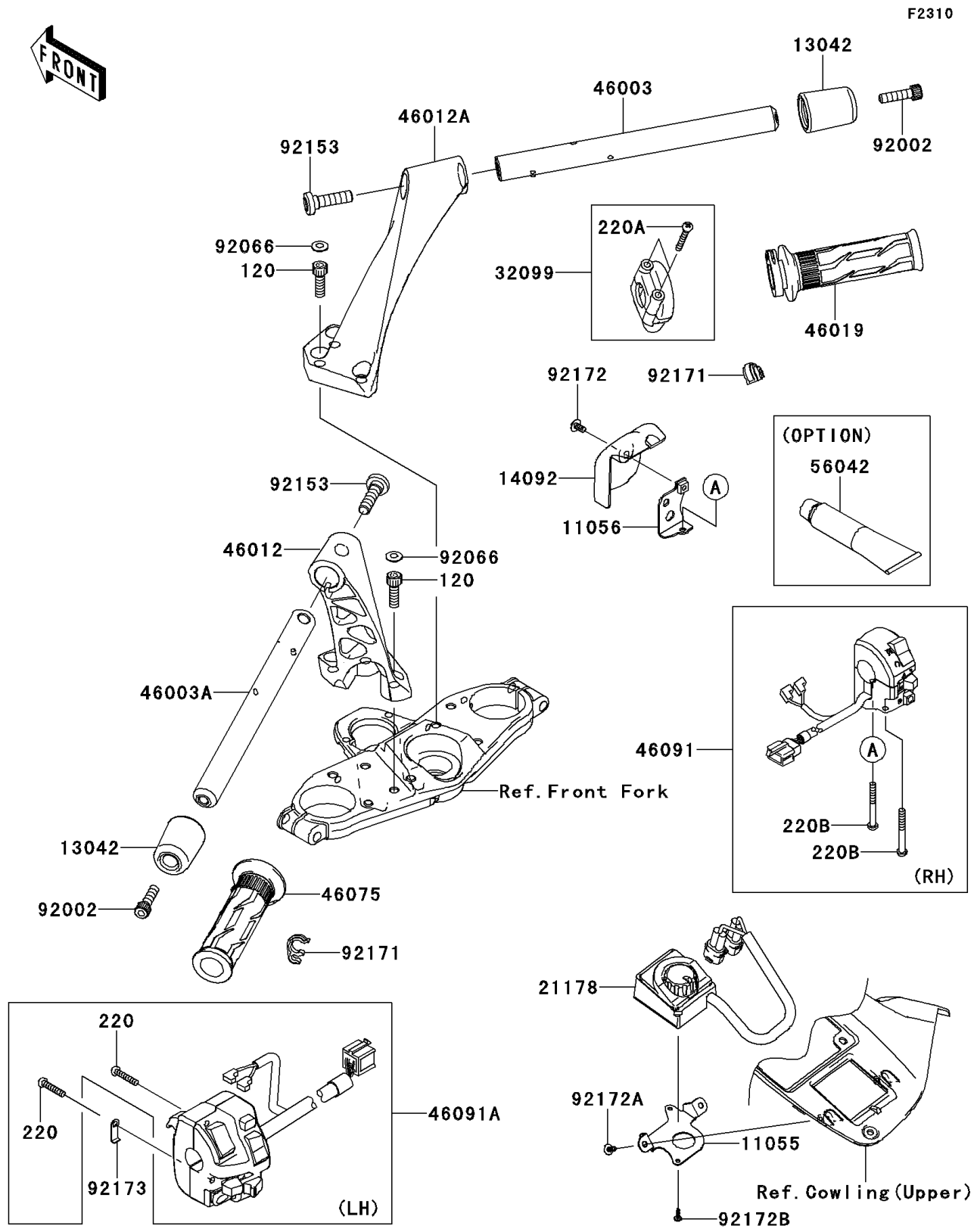


2014 CONCOURS® 14 ABS PARTS DIAGRAM

Handlebar



2014 CONCOURS® 14 ABS PARTS LIST

Handlebar

ITEM NAME	PART NUMBER	QUANTITY
-----------	-------------	----------