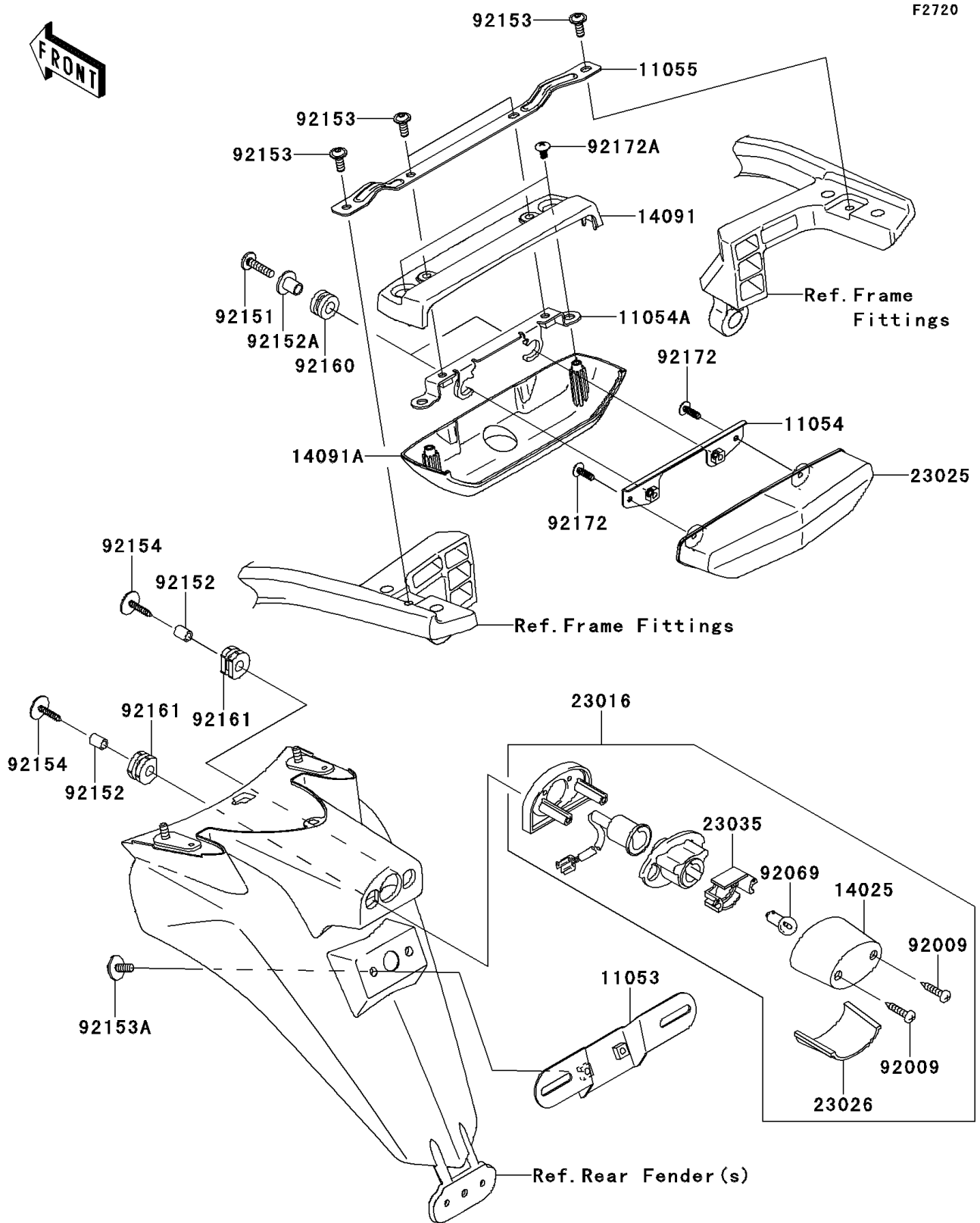


2014 CONCOURS® 14 ABS PARTS DIAGRAM

Taillight(s)



2014 CONCOURS® 14 ABS PARTS LIST

Taillight(s)

ITEM NAME	PART NUMBER	QUANTITY
-----------	-------------	----------