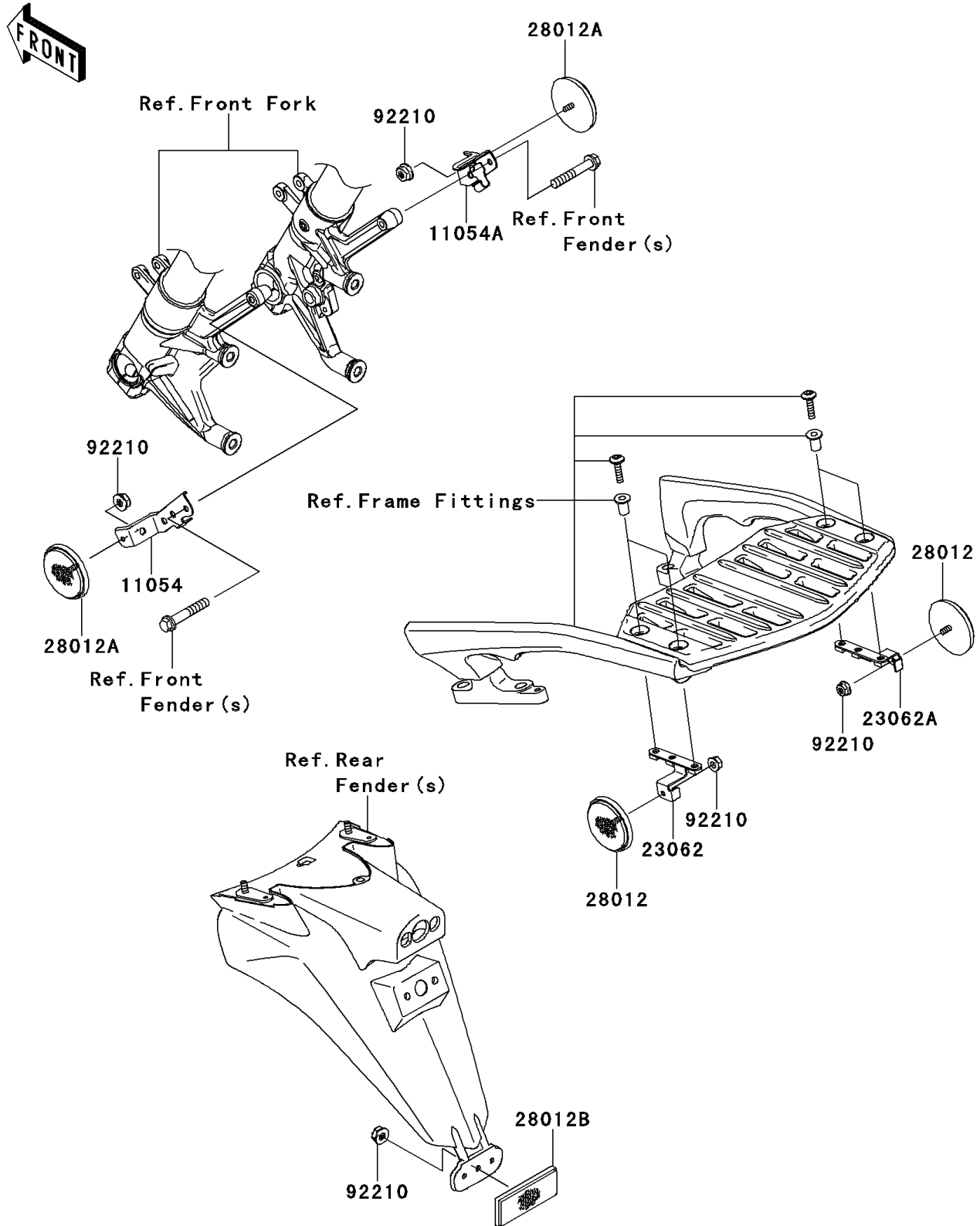


# 2014 CONCOURS® 14 ABS PARTS DIAGRAM

Reflectors

F2790



# 2014 CONCOURS® 14 ABS PARTS LIST

Reflectors

ITEM NAME	PART NUMBER	QUANTITY
-----------	-------------	----------