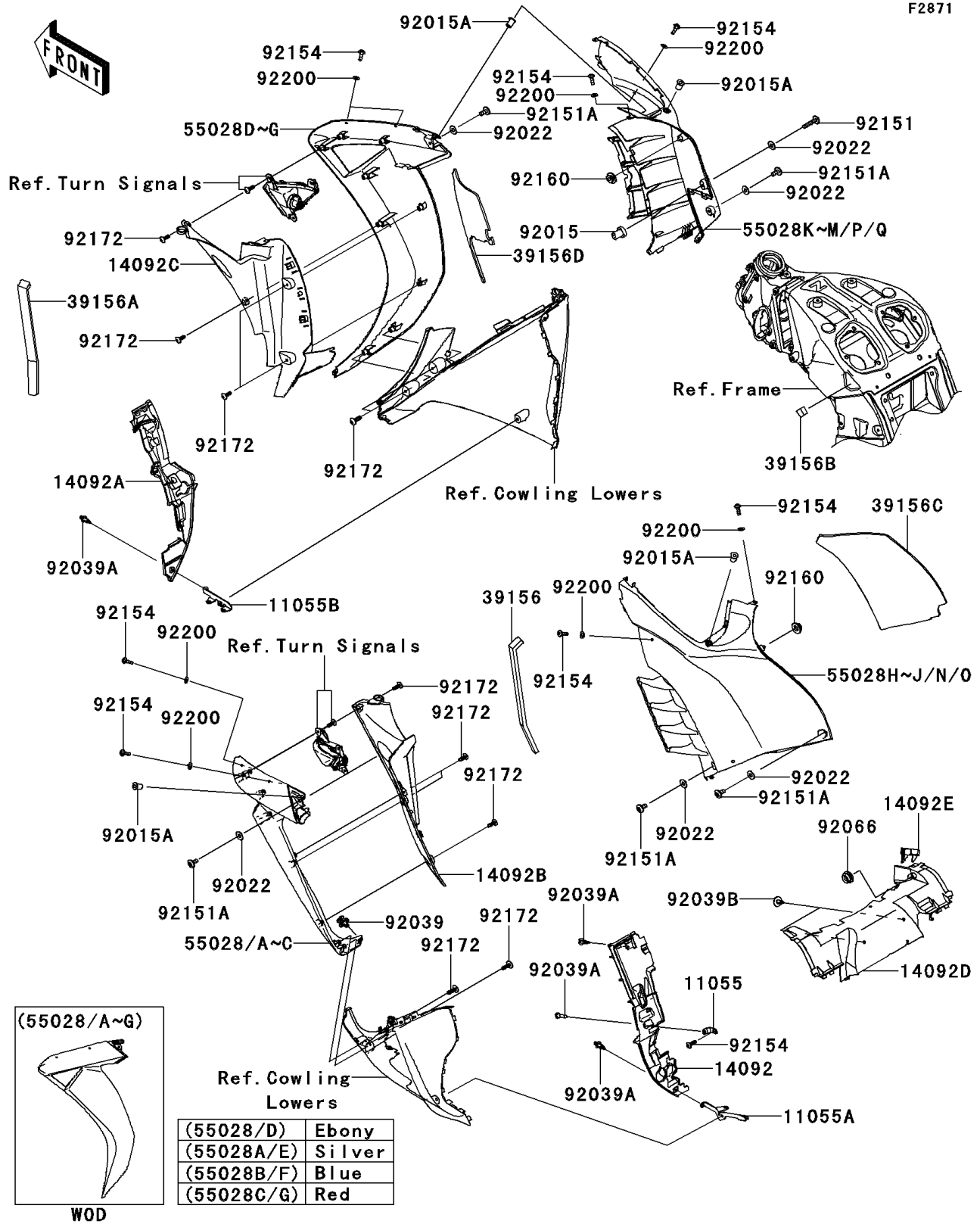


2010 Concours® 14 ABS PARTS DIAGRAM

Cowling(Center)(CAF-CCF)

F2871



2010 Concours® 14 ABS PARTS LIST

Cowling(Center)(CAF-CCF)

ITEM NAME	PART NUMBER	QUANTITY
BRACKET,RESERVOIR (Ref # 11055)	11055-1837	1
BRACKET,LWR COWLING,LH (Ref # 11055A)	11055-1838	1
BRACKET,LWR COWLING,RH (Ref # 11055B)	11055-1839	1
COVER,HEAT GUARD,LH (Ref # 14092)	14092-0098	1
COVER,HEAT GUARD,RH (Ref # 14092A)	14092-0099	1
COVER,SHROUD,LH (Ref # 14092B)	14092-0102	1
COVER,SHROUD,RH (Ref # 14092C)	14092-0103	1
COVER,HEAT GUARD,FR (Ref # 14092D)	14092-0135	1
COVER,RADIATOR CAP (Ref # 14092E)	14092-0136	1
PAD,SHROUD,LH (Ref # 39156)	39156-0591	1
PAD,SHROUD,RH (Ref # 39156A)	39156-0593	1
PAD,20X20X14 (Ref # 39156B)	39156-0594	1
PAD,CNT COWLING,LH (Ref # 39156C)	39156-0595	1
PAD,CNT COWLING,RH (Ref # 39156D)	39156-0596	1
COWLING,SIDE,LH,C.N.BLUE (Ref # 55028B)	55028-0320-27Z	1
COWLING,SIDE,RH,C.N.BLUE (Ref # 55028F)	55028-0321-27Z	1
COWLING,CNT,LH,C.N.BLUE (Ref # 55028J)	55028-0328-27Z	1
COWLING,CNT,RH,C.N.BLUE (Ref # 55028M)	55028-0329-27Z	1
NUT,RUBBER,6MM (Ref # 92015)	92015-1692	1
NUT,WELL,5MM (Ref # 92015A)	92015-1757	4
WASHER,6.5X16X1 (Ref # 92022)	92022-1143	6
RIVET,HOLE 8MM (Ref # 92039)	92039-0014	1
RIVET (Ref # 92039A)	92039-0051	4
RIVET (Ref # 92039B)	92039-1289	2
PLUG (Ref # 92066)	92066-1306	2
BOLT,SOCKET,6X30 (Ref # 92151)	92151-1605	1
BOLT,SOCKET,6X14 (Ref # 92151A)	92151-1654	5
BOLT,SOCKET,5X16 (Ref # 92154)	92154-0209	9
DAMPER (Ref # 92160)	92160-1613	2

2010 Concours® 14 ABS PARTS LIST

Cowling(Center)(CAF-CCF)

ITEM NAME	PART NUMBER	QUANTITY
SCREW,TAPPING,5X16 (Ref # 92172)	92172-0238	12
WASHER,NYLONE,5.3X11.5X0.5 (Ref # 92200)	92200-0006	8