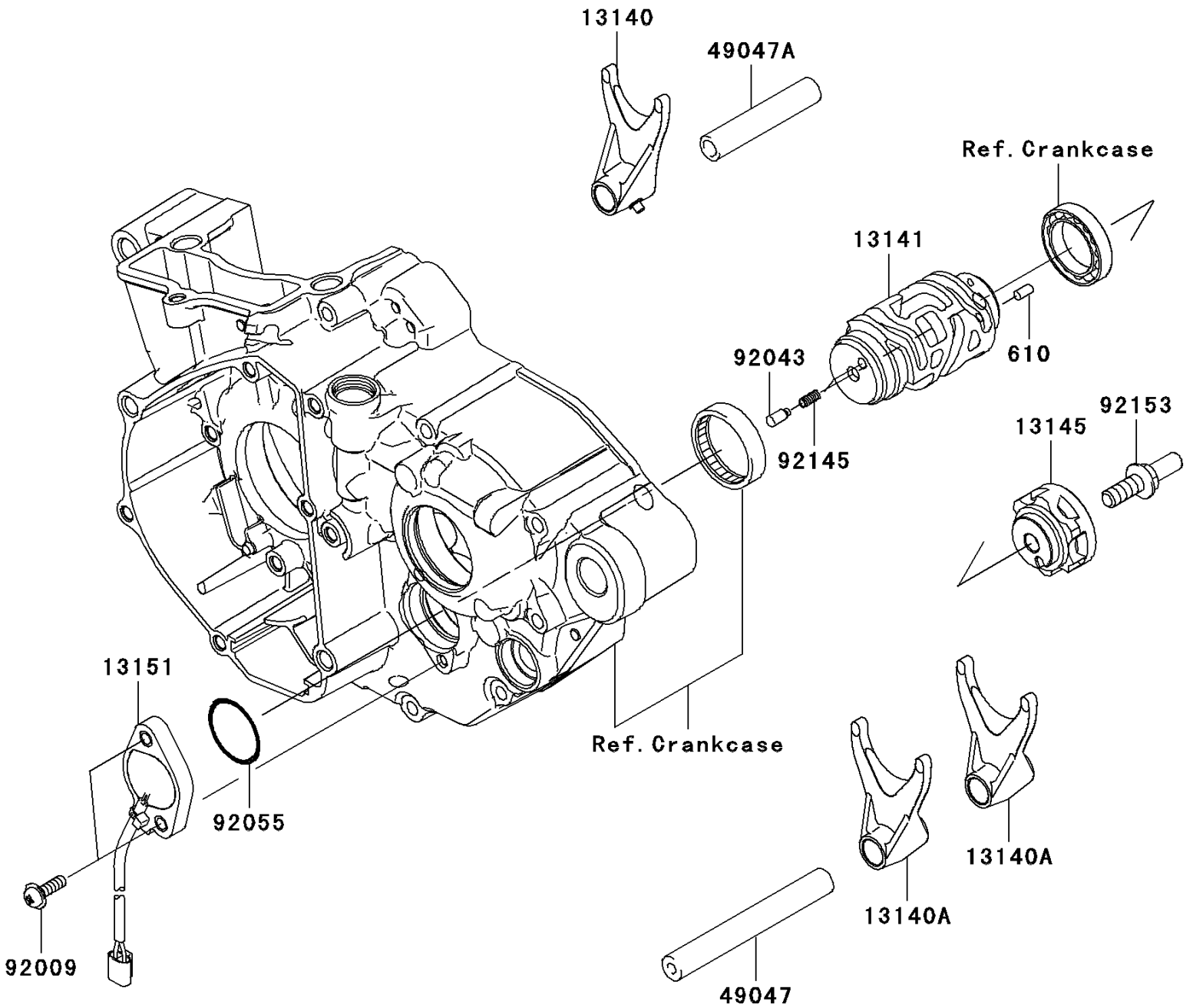


2011 KX™ 250F PARTS DIAGRAM

Gear Change Drum/Shift Fork(s)

E1362



2011 KX™ 250F PARTS LIST

Gear Change Drum/Shift Fork(s)

ITEM NAME	PART NUMBER	QUANTITY
ROLLER,4X8 (Ref # 610)	610A0408	1
FORK-SHIFT,IN (Ref # 13140)	13140-0056	1
FORK-SHIFT,OUT (Ref # 13140A)	13140-0057	2
DRUM-CHANGE (Ref # 13141)	13141-0054	1
CAM-CHANGE DRUM (Ref # 13145)	13145-0031	1
SWITCH-COMP,NEUTRAL (Ref # 13151)	13151-0052	1
ROD-SHIFT,OUTPUT,L=94.5 (Ref # 49047)	49047-0003	1
ROD-SHIFT,INPUT,L=63 (Ref # 49047A)	49047-0004	1
SCREW,5X16 (Ref # 92009)	92009-1571	2
PIN (Ref # 92043)	92043-1654	2
RING-O,27.7X2.4 (Ref # 92055)	92055-091	1
SPRING (Ref # 92145)	92145-1414	2
BOLT (Ref # 92153)	92153-1735	1