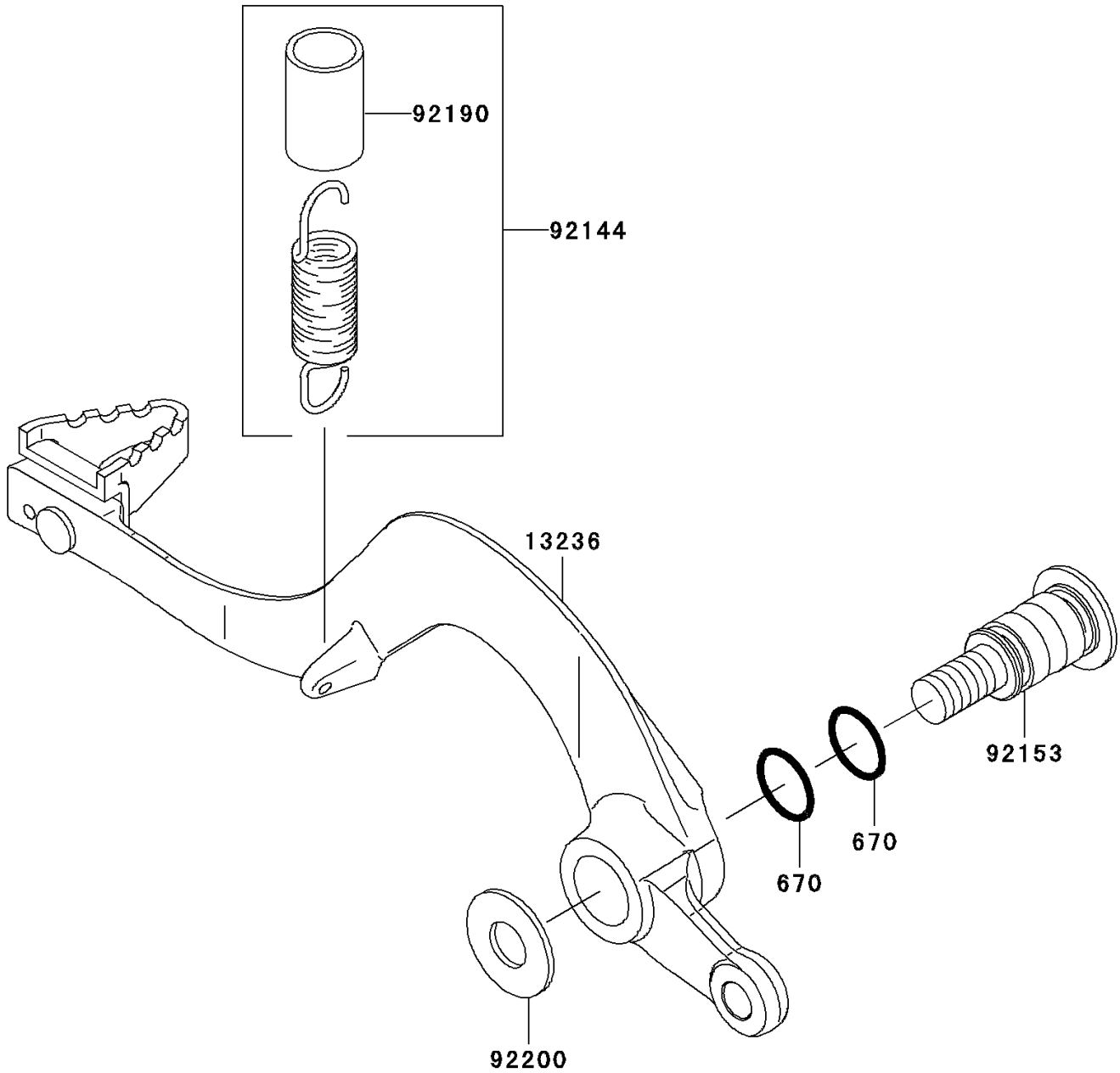


# 2008 KX™ 450F PARTS DIAGRAM

Brake Pedal

F2260



# 2008 KX™ 450F PARTS LIST

Brake Pedal

ITEM NAME	PART NUMBER	QUANTITY
-----------	-------------	----------