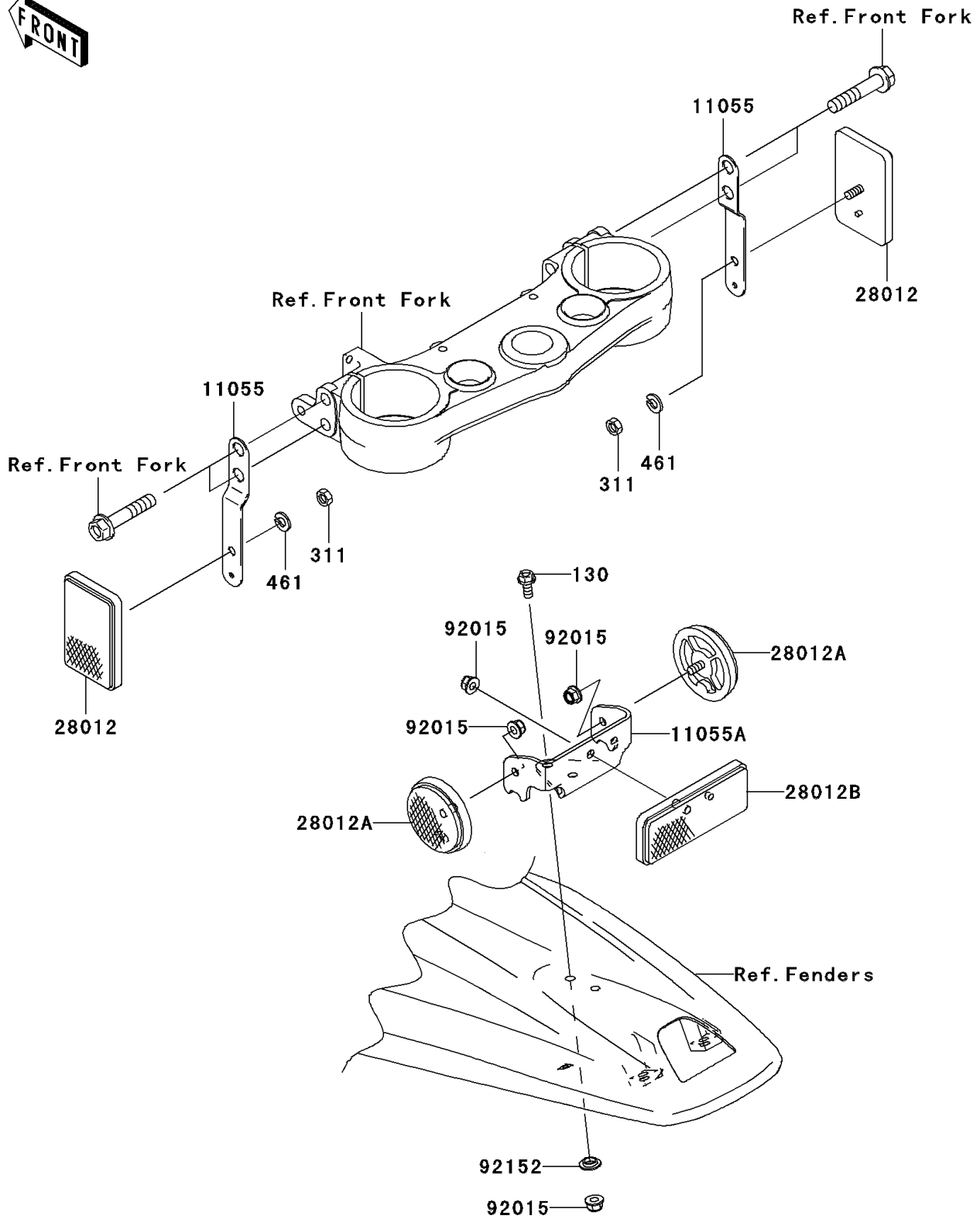


2008 KLX® 450R PARTS DIAGRAM

Reflectors(CN)

F2790



2008 KLX® 450R PARTS LIST

Reflectors(CN)

ITEM NAME	PART NUMBER	QUANTITY
BOLT-FLANGED,5X12 (Ref # 130)	130BA0512	2
NUT-HEX (Ref # 311)	311BA0500	2
WASHER-SPRING (Ref # 461)	461DA0500	2
BRACKET,REFLECTOR,FR (Ref # 11055)	11055-0080	2
BRACKET,REFLECTOR,RR (Ref # 11055A)	11055-0226	1
REFLECTOR-REFLEX (Ref # 28012)	28012-1003	2
REFLECTOR-REFLEX (Ref # 28012A)	28012-1067	2
REFLECTOR-REFLEX (Ref # 28012B)	28012-1077	1
NUT,LOCK,FLANGED,5MM (Ref # 92015)	92015-1752	5
COLLAR (Ref # 92152)	92152-0250	2