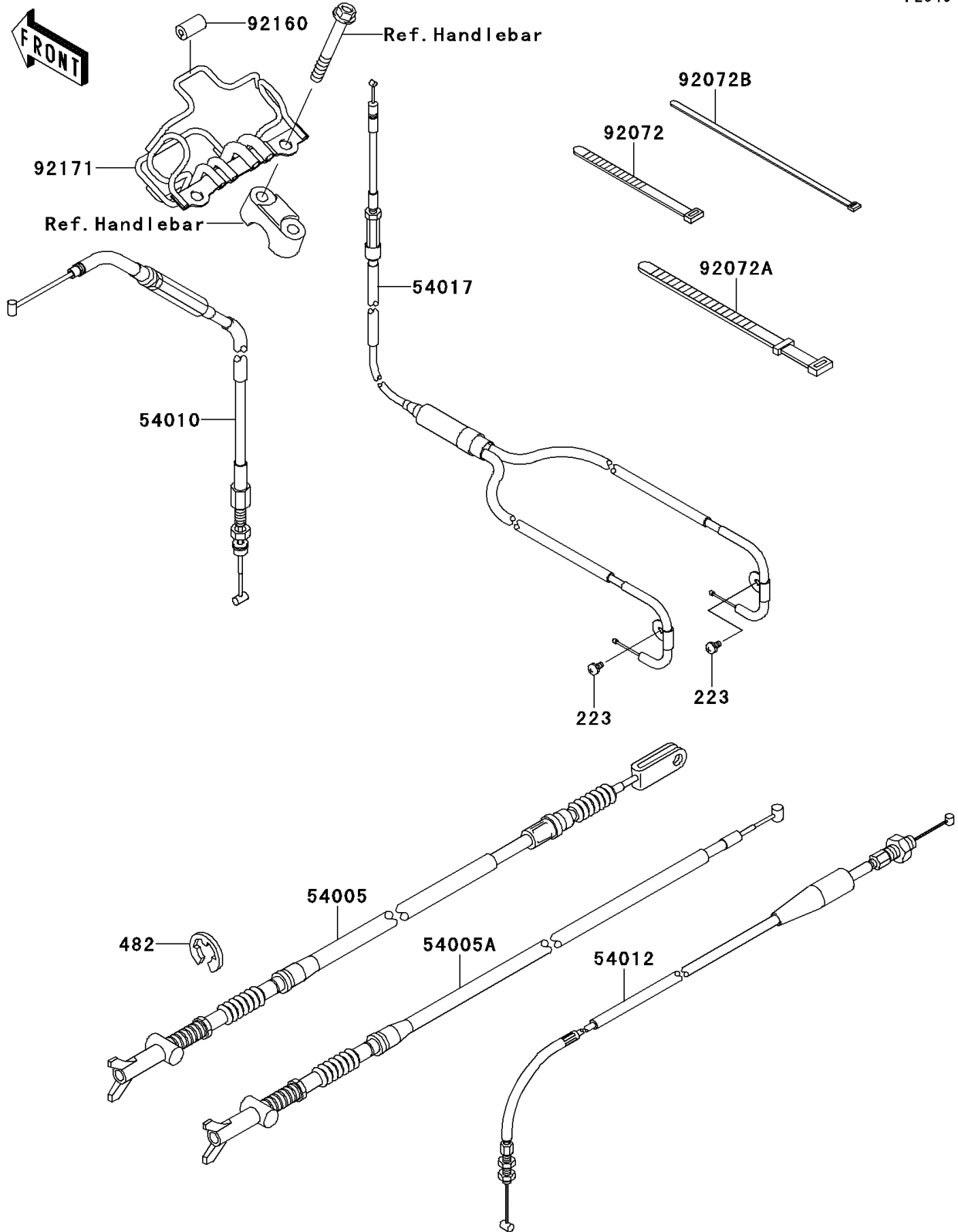


# 2011 BRUTE FORCE® 650 4x4 PARTS DIAGRAM

Cables

F2540



## 2011 BRUTE FORCE® 650 4x4 PARTS LIST

### Cables

| ITEM NAME                           | PART NUMBER | QUANTITY |
|-------------------------------------|-------------|----------|
| SCREW-PAN-WS-CROS,4X8 (Ref # 223)   | 223AA0408   | 2        |
| CIRCLIP-TYPE-E,8MM (Ref # 482)      | 482EA8000   | 1        |
| CABLE-BRAKE,REAR (Ref # 54005)      | 54005-0019  | 1        |
| CABLE-BRAKE,PARKING (Ref # 54005A)  | 54005-0020  | 1        |
| CABLE,FRONT DIFF LOCK (Ref # 54010) | 54010-0027  | 1        |
| CABLE-THROTTLE (Ref # 54012)        | 54012-0124  | 1        |
| CABLE-STARTER (Ref # 54017)         | 54017-0022  | 1        |
| BAND,L=123 (Ref # 92072)            | 92072-030   | 1        |
| BAND,L=186 (Ref # 92072A)           | 92072-056   | 5        |
| BAND,L=188 (Ref # 92072B)           | 92072-1239  | 3        |
| DAMPER,4.5X11X20 (Ref # 92160)      | 92160-1074  | 1        |
| CLAMP,BREATHER TUBE (Ref # 92171)   | 92171-0378  | 1        |