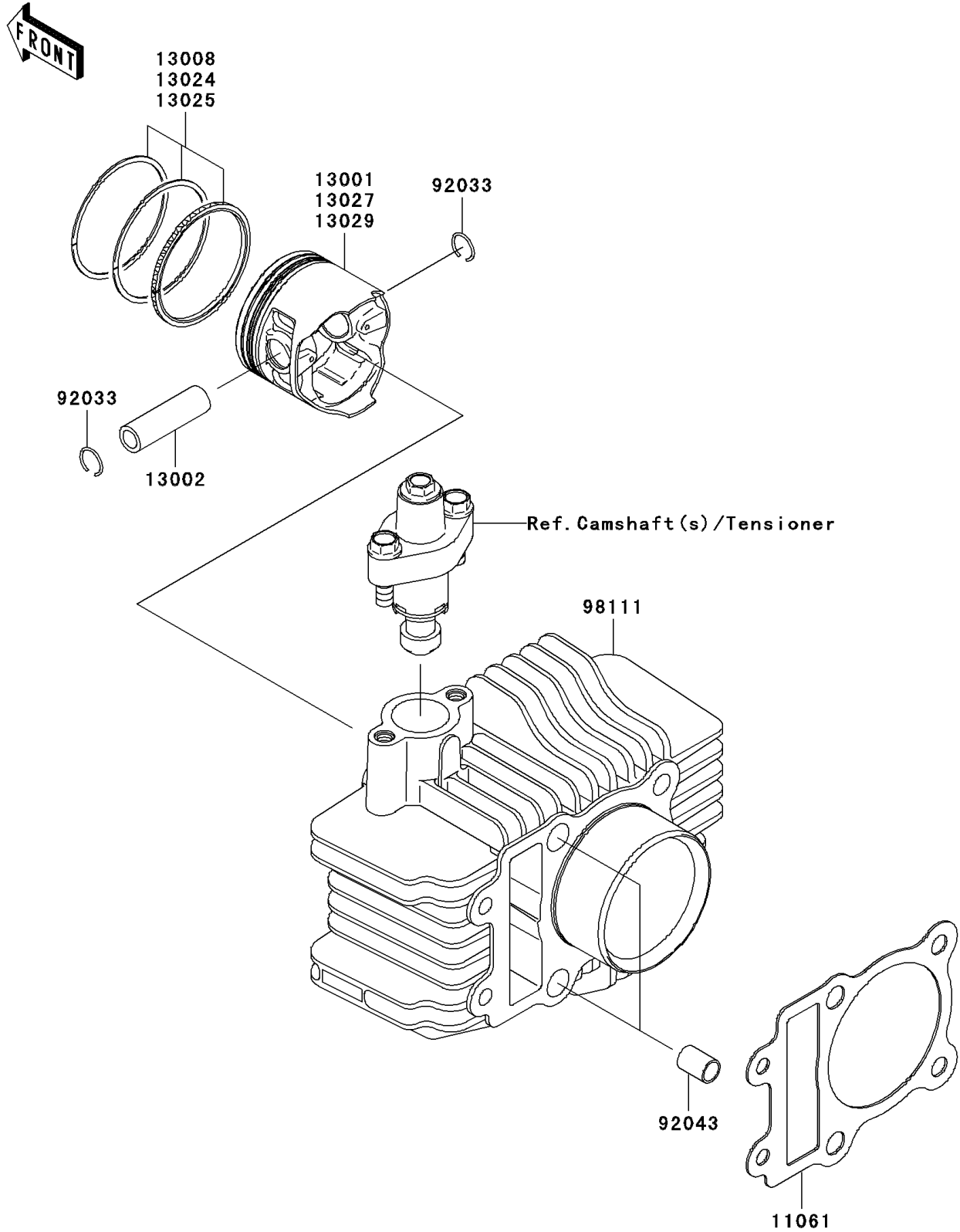


2009 KLX[®]110 PARTS DIAGRAM

Cylinder/Piston(s)

E1120



2009 KLX®110 PARTS LIST

Cylinder/Piston(s)

ITEM NAME	PART NUMBER	QUANTITY
GASKET,CYLINDER BASE (Ref # 11061)	11061-0124	1
PISTON-ENGINE,STD (Ref # 13001)	13001-1512	1
PIN-PISTON (Ref # 13002)	13002-1123	1
RING-SET-PISTON,STD (Ref # 13008)	13008-1189	1
RING-SET-PISTON LL,O/S 1.00 (Ref # 13024)	13024-1119	1
RING-SET-PISTON L,O/S 0.50 (Ref # 13025)	13025-1148	1
PISTON-ENGINE LL,O/S 1.00 (Ref # 13027)	13027-1198	1
PISTON-ENGINE L,O/S 0.50 (Ref # 13029)	13029-1255	1
RING-SNAP (Ref # 92033)	92033-1072	2
PIN,8.2X10X14 (Ref # 92043)	92043-1264	2
CYLINDER-COMP-ENGINE (Ref # 98111)	98111-1083	1