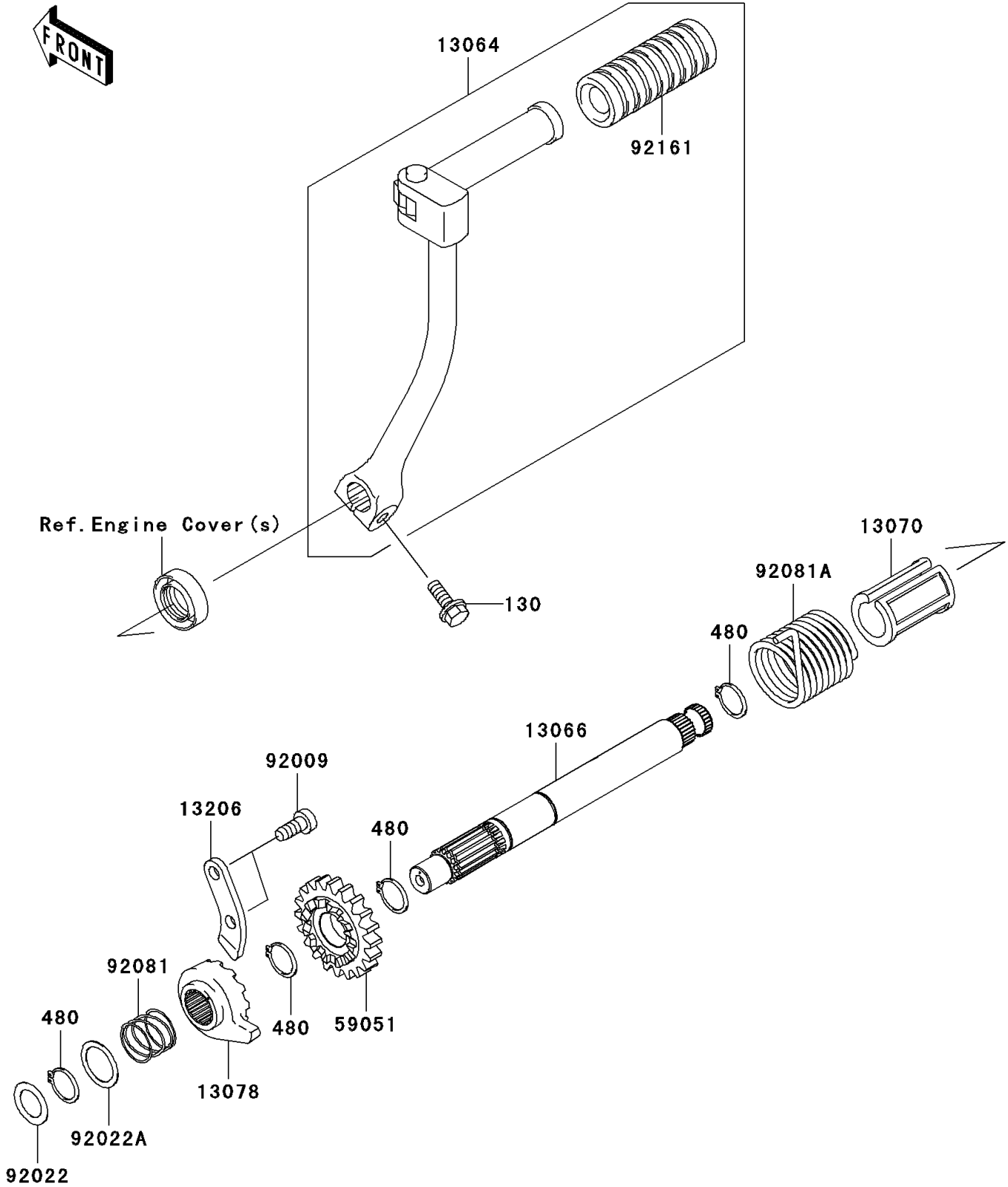


# 2008 KLX®110 PARTS DIAGRAM

## Kickstarter Mechanism

E1340



## 2008 KLX®110 PARTS LIST

### Kickstarter Mechanism

ITEM NAME	PART NUMBER	QUANTITY
BOLT-FLANGED,6X22 (Ref # 130)	130CA0622	1
CIRCLIP-TYPE-C,16MM (Ref # 480)	480J1600	4
LEVER-ASSY-KICK (Ref # 13064)	13064-0012	1
SHAFT-KICK (Ref # 13066)	13066-1108	1
GUIDE,KICK SHAFT (Ref # 13070)	13070-1035	1
RATCHET (Ref # 13078)	13078-1069	1
GUIDE-KICK (Ref # 13206)	13206-1006	1
GEAR-SPUR,KICK STARTER,22T (Ref # 59051)	59051-1404	1
SCREW,TAPPING (Ref # 92009)	92009-1104	2
WASHER,13.2X20X0.5 (Ref # 92022)	92022-1224	1
WASHER,16.8X22X0.5 (Ref # 92022A)	92022-315	1
SPRING,RATCHET (Ref # 92081)	92081-122	1
SPRING,KICK STARTER (Ref # 92081A)	92081-1276	1
DAMPER,PEDAL (Ref # 92161)	92161-0030	1