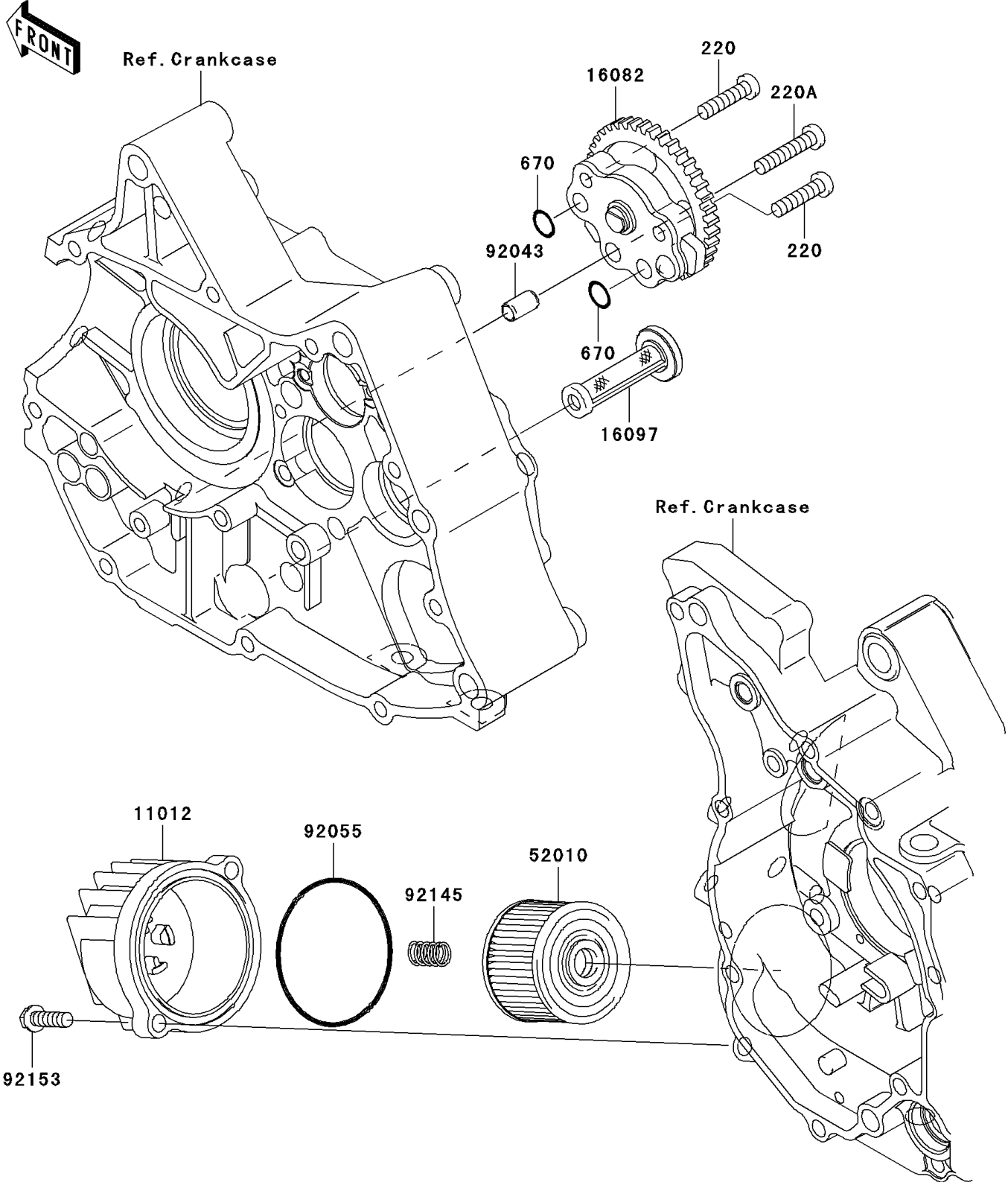


2006 KLX110 PARTS DIAGRAM

Oil Pump

E1710



2006 KLX110 PARTS LIST

Oil Pump

ITEM NAME	PART NUMBER	QUANTITY
SCREW-PAN-CROSS,6X25 (Ref # 220)	220AA0625	2
SCREW-PAN-CROSS,6X30 (Ref # 220A)	220AA0630	1
O RING,10MM (Ref # 670)	670B1510	2
CAP (Ref # 11012)	11012-1980	1
PUMP-ASSY-OIL (Ref # 16082)	16082-1052	1
FILTER-ASSY-OIL (Ref # 16097)	16097-1071	1
ELEMENT-OIL FILTER (Ref # 52010)	52010-1053	1
PIN,6.2X8X14 (Ref # 92043)	92043-1263	1
RING-O,59.6X2.4 (Ref # 92055)	92055-3018	1
SPRING (Ref # 92145)	92145-1091	1
BOLT,6X20 (Ref # 92153)	92153-1184	2