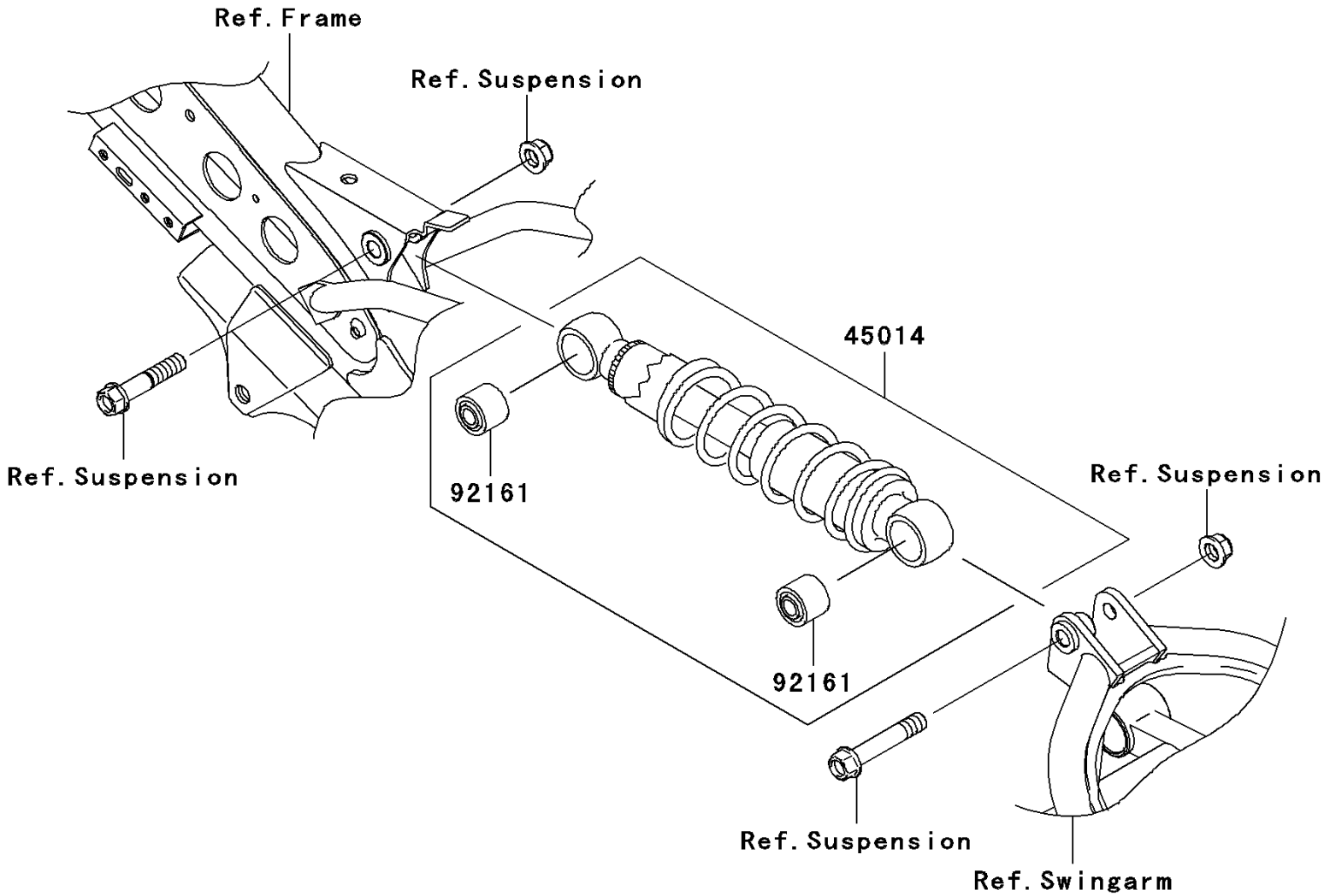


# 2008 KLX®110 PARTS DIAGRAM

Shock Absorber(s)

F2280



## 2008 KLX®110 PARTS LIST

### Shock Absorber(s)

ITEM NAME	PART NUMBER	QUANTITY
SHOCKABSORBER,I.SILVER (Ref # 45014)	45014-0037-8V	1
DAMPER,SHOCKABSORBER (Ref # 92161)	92161-0100	2