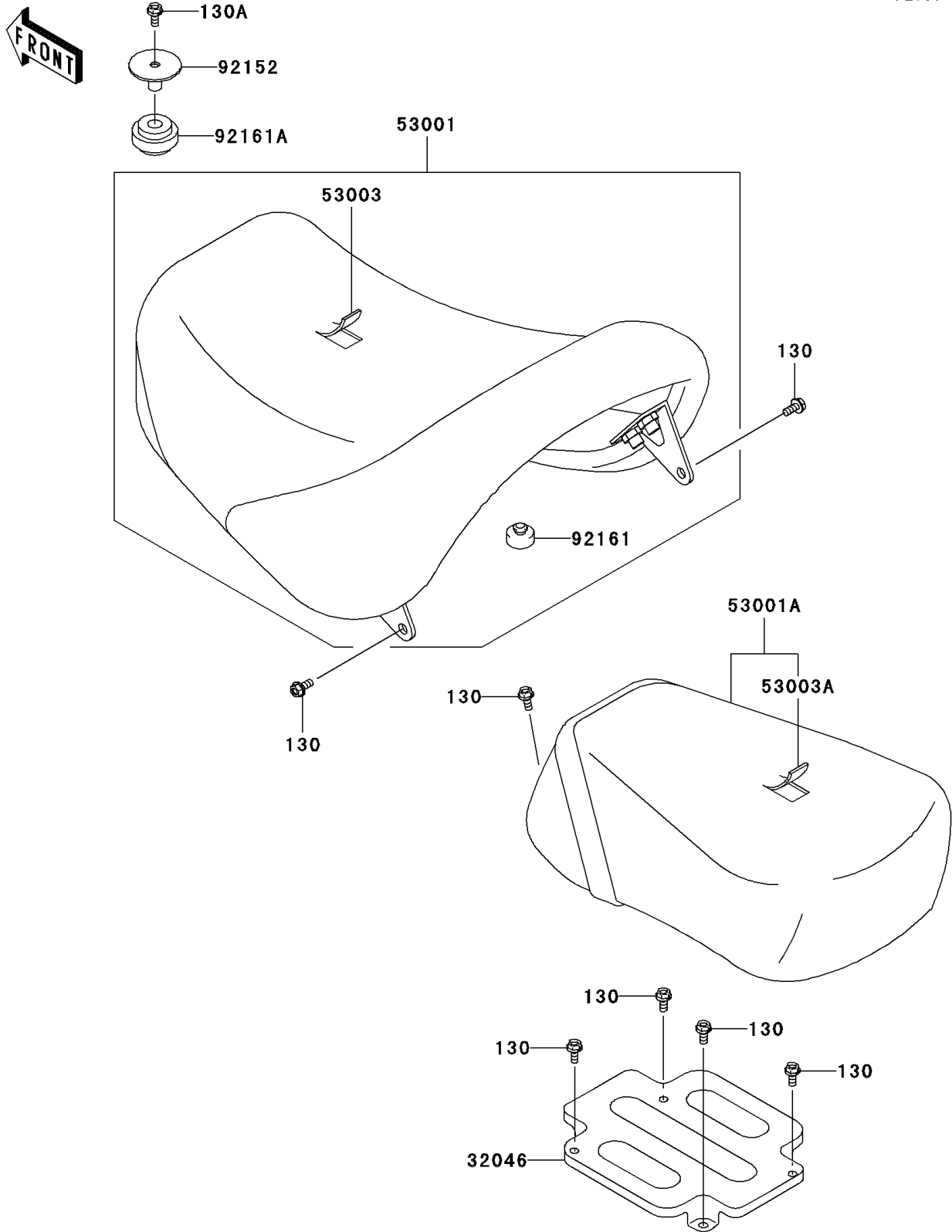


2008 Vulcan® 1500 Classic PARTS DIAGRAM

Seat

F2510



2008 Vulcan® 1500 Classic PARTS LIST

Seat

ITEM NAME	PART NUMBER	QUANTITY
BOLT-FLANGED,6X14 (Ref # 130)	130J0614	7
BOLT-FLANGED,8X35 (Ref # 130A)	130J0835	1
BRACKET-SEAT,RR (Ref # 32046)	32046-1458	1
SEAT-ASSY,FR,BLACK (Ref # 53001)	53001-1925-MA	1
SEAT-ASSY,RR,W/BAND,BLACK (Ref # 53001A)	53001-1926-MA	1
LEATHER,FRONT SEAT,BLACK (Ref # 53003)	53003-1451-MA	1
LEATHER,REAR SEAT,BLACK (Ref # 53003A)	53003-1452-MA	1
COLLAR (Ref # 92152)	92152-1100	1
DAMPER,SEAT (Ref # 92161)	92161-1065	4
DAMPER (Ref # 92161A)	92161-1157	1