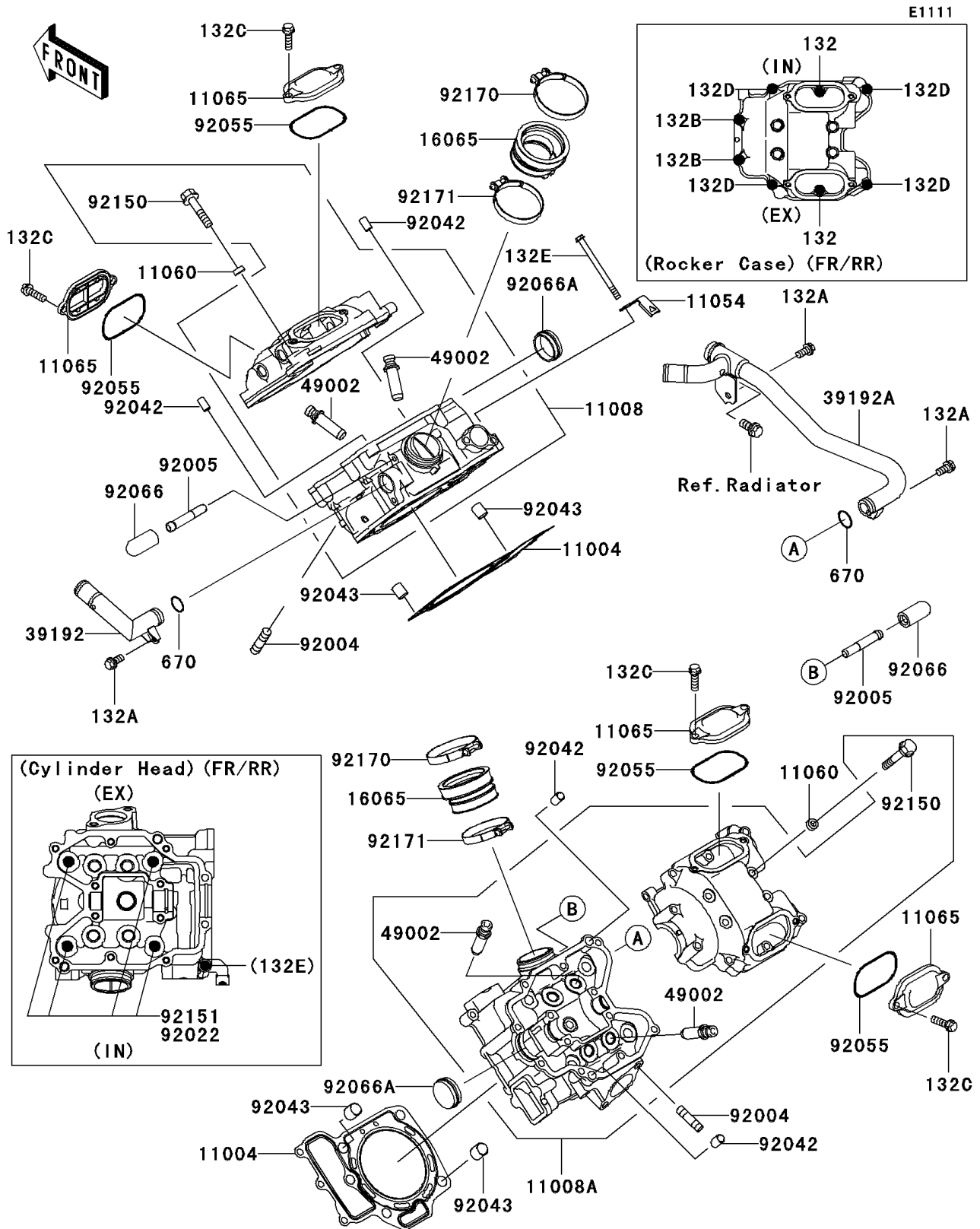


2010 Brute Force® 750 4x4i PARTS DIAGRAM

Cylinder Head



E1111

2010 Brute Force® 750 4x4i PARTS LIST

Cylinder Head

ITEM NAME	PART NUMBER	QUANTITY
BOLT-FLANGED-SMALL,6X25 (Ref # 132)	132BA0625	4
BOLT-FLANGED-SMALL,6X12 (Ref # 132A)	132BD0612	3
BOLT-FLANGED-SMALL,6X130 (Ref # 132B)	132BD06130	4
BOLT-FLANGED-SMALL,6X20 (Ref # 132C)	132BD0620	8
BOLT-FLANGED-SMALL,6X30 (Ref # 132D)	132BD0630	8
BOLT-FLANGED-SMALL,6X95 (Ref # 132E)	132BD0695	2
O RING,16MM (Ref # 670)	670B2016	2
GASKET-HEAD (Ref # 11004)	11004-0011	2
HEAD-COMP-CYLINDER,FR (Ref # 11008)	11008-0087	1
HEAD-COMP-CYLINDER,RR (Ref # 11008A)	11008-0088	1
BRACKET (Ref # 11054)	11054-1468	1
GASKET,6.2X12X0.3 (Ref # 11060)	11060-1994	8
CAP,ROCKER CASE (Ref # 11065)	11065-1152	4
HOLDER-CARBURETOR (Ref # 16065)	16065-0046	2
PIPE-WATER,FR (Ref # 39192)	39192-0033	1
PIPE-WATER,RR (Ref # 39192A)	39192-0034	1
GUIDE-VALVE (Ref # 49002)	49002-1097	AR
STUD,8X22 (Ref # 92004)	92004-1217	4
FITTING (Ref # 92005)	92005-1264	2
WASHER,11.5X20.5X1.6 (Ref # 92022)	92022-1720	8
PIN,DOWEL,6.3X8X14 (Ref # 92042)	92042-007	4
PIN,10.1X12X14 (Ref # 92043)	92043-4009	4
RING-O (Ref # 92055)	92055-0112	4
PLUG (Ref # 92066)	92066-0095	2
PLUG (Ref # 92066A)	92066-1289	2
BOLT,FLANGED,6X55 (Ref # 92150)	92150-1302	8
BOLT,FLANGED,10X150 (Ref # 92151)	92151-1917	8
CLAMP (Ref # 92170)	92170-1448	2
CLAMP (Ref # 92171)	92171-0722	2