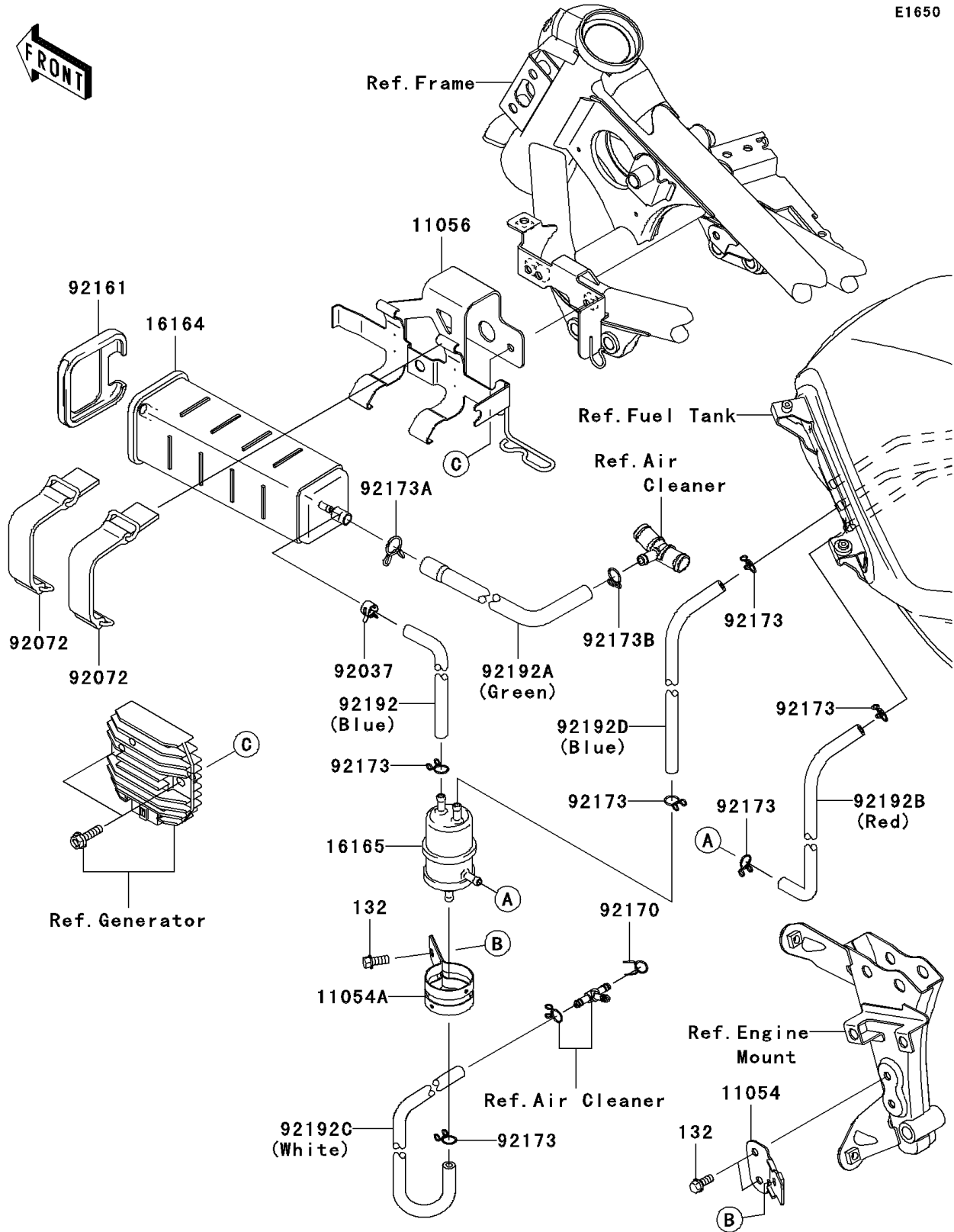


# 2012 NINJA® 250R PARTS DIAGRAM

Fuel Evaporative System(CA)

E1650



## 2012 NINJA® 250R PARTS LIST

### Fuel Evaporative System(CA)

ITEM NAME	PART NUMBER	QUANTITY
BOLT-FLANGED-SMALL,6X14 (Ref # 132)	132BA0614	3
BRACKET,SEPARATOR (Ref # 11054)	11054-1559	1
BRACKET (Ref # 11054A)	11054-1560	1
BRACKET,CANISTER (Ref # 11056)	11056-0122	1
CANISTER (Ref # 16164)	16164-0009	1
SEPARATOR (Ref # 16165)	16165-1001	1
CLAMP (Ref # 92037)	92037-1601	1
BAND,L=90 (Ref # 92072)	92072-0135	2
DAMPER (Ref # 92161)	92161-0762	1
CLAMP (Ref # 92170)	92170-1450	1
CLAMP (Ref # 92173)	92173-0050	6
CLAMP,14MM (Ref # 92173A)	92173-0192	1
CLAMP,11.5MM (Ref # 92173B)	92173-0197	1
TUBE,SEPARATOR-CANISTER,BLUE (Ref # 92192)	92192-0464	1
TUBE,CANISTER-FITTING,GREEN (Ref # 92192A)	92192-0465	1
TUBE,SEPARATOR-TANK,RED (Ref # 92192B)	92192-0466	1
TUBE,SEPARATOR-FITTING,WHITE (Ref # 92192C)	92192-0467	1
TUBE,TANK-SEPARATOR,BLUE (Ref # 92192D)	92192-0813	1