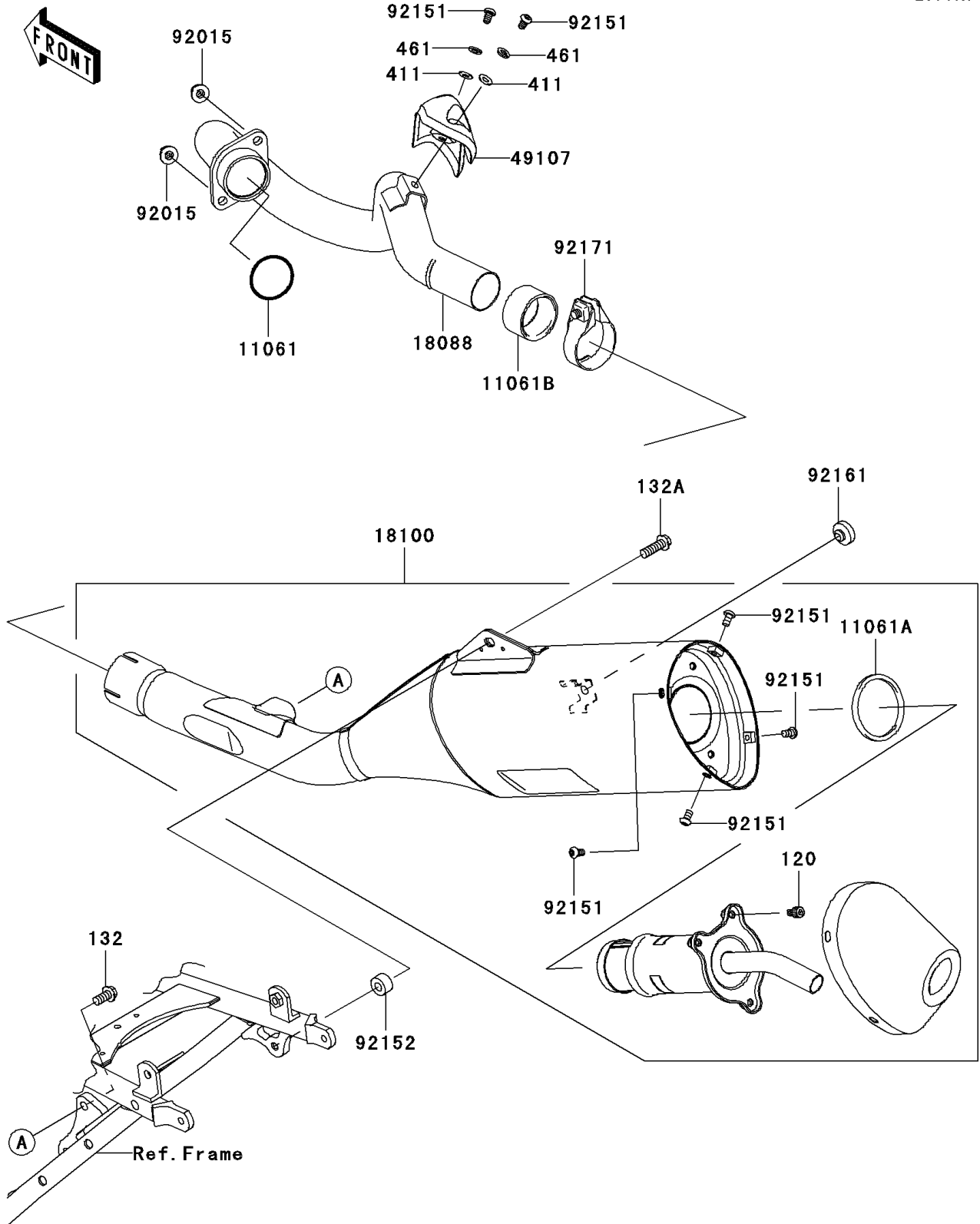


2009 KLX® 450R PARTS DIAGRAM

Muffler(s)(A9F)

E1140A



2009 KLX® 450R PARTS LIST

Muffler(s)(A9F)

ITEM NAME	PART NUMBER	QUANTITY
BOLT-SOCKET,6X10 (Ref # 120)	120CA0610	3
BOLT-FLANGED-SMALL,8X18 (Ref # 132)	132BB0818	1
BOLT-FLANGED-SMALL,8X25 (Ref # 132A)	132BB0825	1
WASHER-PLAIN,6MM (Ref # 411)	411S0600	2
WASHER-SPRING,6MM (Ref # 461)	461S0600	2
GASKET,38.9X46.4X3.0 (Ref # 11061)	11061-0082	1
GASKET (Ref # 11061A)	11061-0100	1
GASKET,38.1X48.7X32 (Ref # 11061B)	11061-0285	1
PIPE-EXHAUST (Ref # 18088)	18088-0371	1
BODY-ASSY-MUFFLER (Ref # 18100)	18100-0072	1
COVER-EXHAUST PIPE (Ref # 49107)	49107-0109	1
NUT,8MM (Ref # 92015)	92015-1402	2
BOLT,SOCKET,6X10 (Ref # 92151)	92151-1449	6
COLLAR (Ref # 92152)	92152-3726	1
DAMPER,8X22X6 (Ref # 92161)	92161-0516	1
CLAMP (Ref # 92171)	92171-0653	1