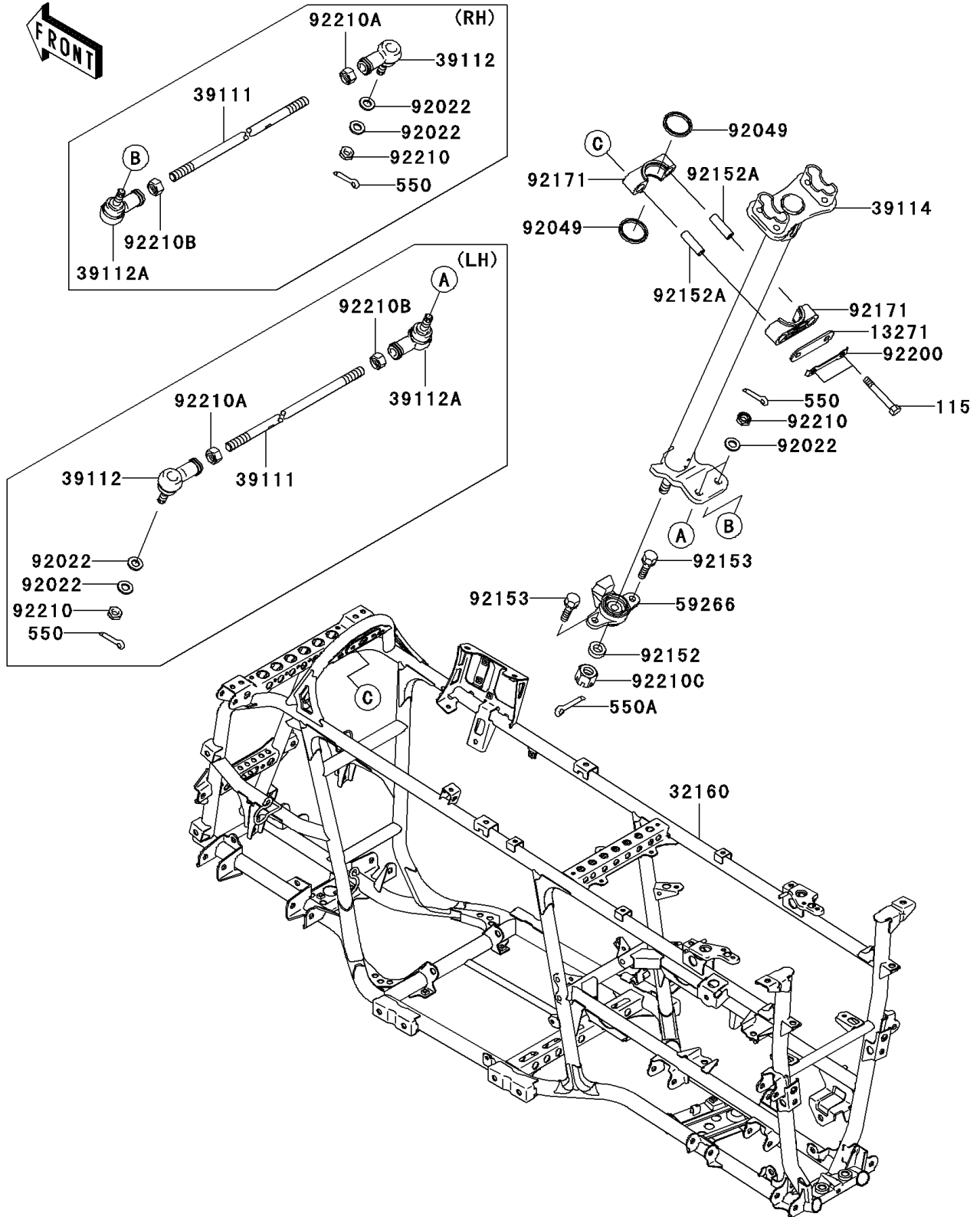


# 2010 Brute Force® 750 4x4i PARTS DIAGRAM

Frame

F2120



## 2010 Brute Force® 750 4x4i PARTS LIST

### Frame

ITEM NAME	PART NUMBER	QUANTITY
BOLT-SMALL-UPSET,8X55 (Ref # 115)	115CB0855	2
PIN-COTTER,2.0X15 (Ref # 550)	550AA2015	4
PIN-COTTER,3.0X25 (Ref # 550A)	550AA3025	1
PLATE,STEERING,CLAMP (Ref # 13271)	13271-7506	1
FRAME-COMP (Ref # 32160)	32160-0227	1
ROD-TIE (Ref # 39111)	39111-0023	2
RODEND-TIE,HANDED (Ref # 39112)	39112-0009	2
RODEND-TIE,HANDED (Ref # 39112A)	39112-0010	2
SHAFT-COMP-STRG (Ref # 39114)	39114-0006	1
JOINT-BALL (Ref # 59266)	59266-1125	1
WASHER,10.2X20X1.5 (Ref # 92022)	92022-3742	6
SEAL-OIL,SR31.8X37.5X3.8LR (Ref # 92049)	92049-7501	2
COLLAR,12X21.3X7 (Ref # 92152)	92152-1351	1
COLLAR,9.1X13.95X42 (Ref # 92152A)	92152-7501	2
BOLT,8X30 (Ref # 92153)	92153-1065	2
CLAMP,STEERING (Ref # 92171)	92171-7501	2
WASHER,STEERING CLAMP (Ref # 92200)	92200-0384	1
NUT,LOCK,10MM (Ref # 92210)	92210-1184	4
NUT,HANDED (Ref # 92210A)	92210-1385	2
NUT,HANDED (Ref # 92210B)	92210-1386	2
NUT,12MM (Ref # 92210C)	92210-7501	1