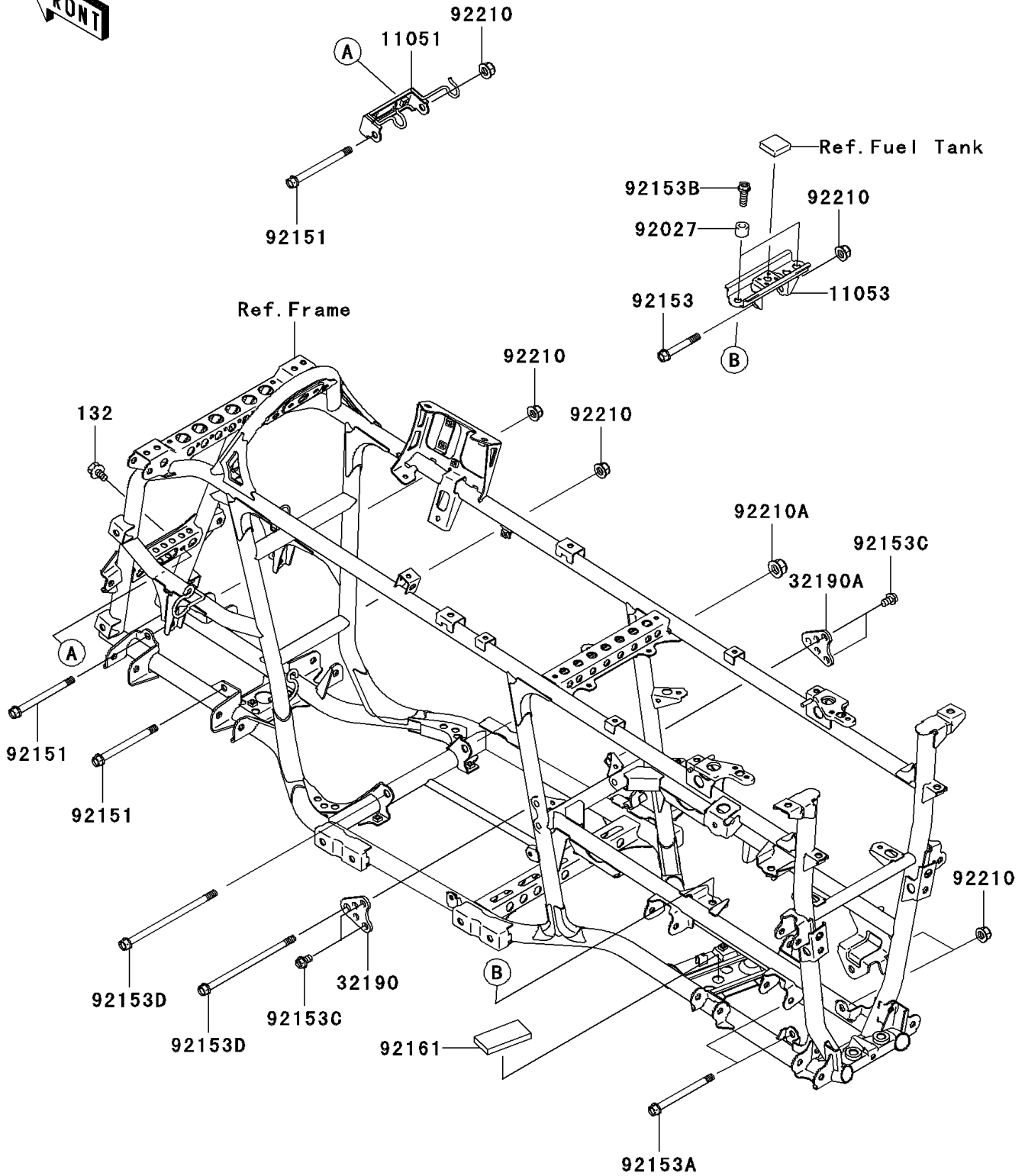


2010 Brute Force® 750 4x4i PARTS DIAGRAM

Engine Mount

F2122



2010 Brute Force® 750 4x4i PARTS LIST

Engine Mount

| ITEM NAME | PART NUMBER | QUANTITY |
|---|-------------|----------|
| BOLT-FLANGED-SMALL,8X14 (Ref # 132) | 132BB0814 | 2 |
| BRACKET,FRONT DIFF (Ref # 11051) | 11051-1929 | 1 |
| BRACKET,REAR DIFF,TOP (Ref # 11053) | 11053-1592 | 1 |
| BRACKET-ENGINE,RR,UPP,LH (Ref # 32190) | 32190-0059 | 1 |
| BRACKET-ENGINE,RR,UPP,RH (Ref # 32190A) | 32190-0060 | 1 |
| COLLAR,FRONT AXLE,L=14.5 (Ref # 92027) | 92027-1472 | 2 |
| BOLT,FLANGED,10X120 (Ref # 92151) | 92151-1914 | 3 |
| BOLT,FLANGED,10X70 (Ref # 92153) | 92153-0871 | 1 |
| BOLT,FLANGED,10X120 (Ref # 92153A) | 92153-0872 | 2 |
| BOLT,FLANGED,10X30 (Ref # 92153B) | 92153-0930 | 2 |
| BOLT,FLANGED,10X16 (Ref # 92153C) | 92153-0991 | 4 |
| BOLT,FLANGED,12X190 (Ref # 92153D) | 92153-1502 | 2 |
| DAMPER (Ref # 92161) | 92161-0215 | 1 |
| NUT,LOCK,FLANGED,10MM (Ref # 92210) | 92210-1081 | 6 |
| NUT,LOCK,FLANGED,12MM (Ref # 92210A) | 92210-1150 | 1 |