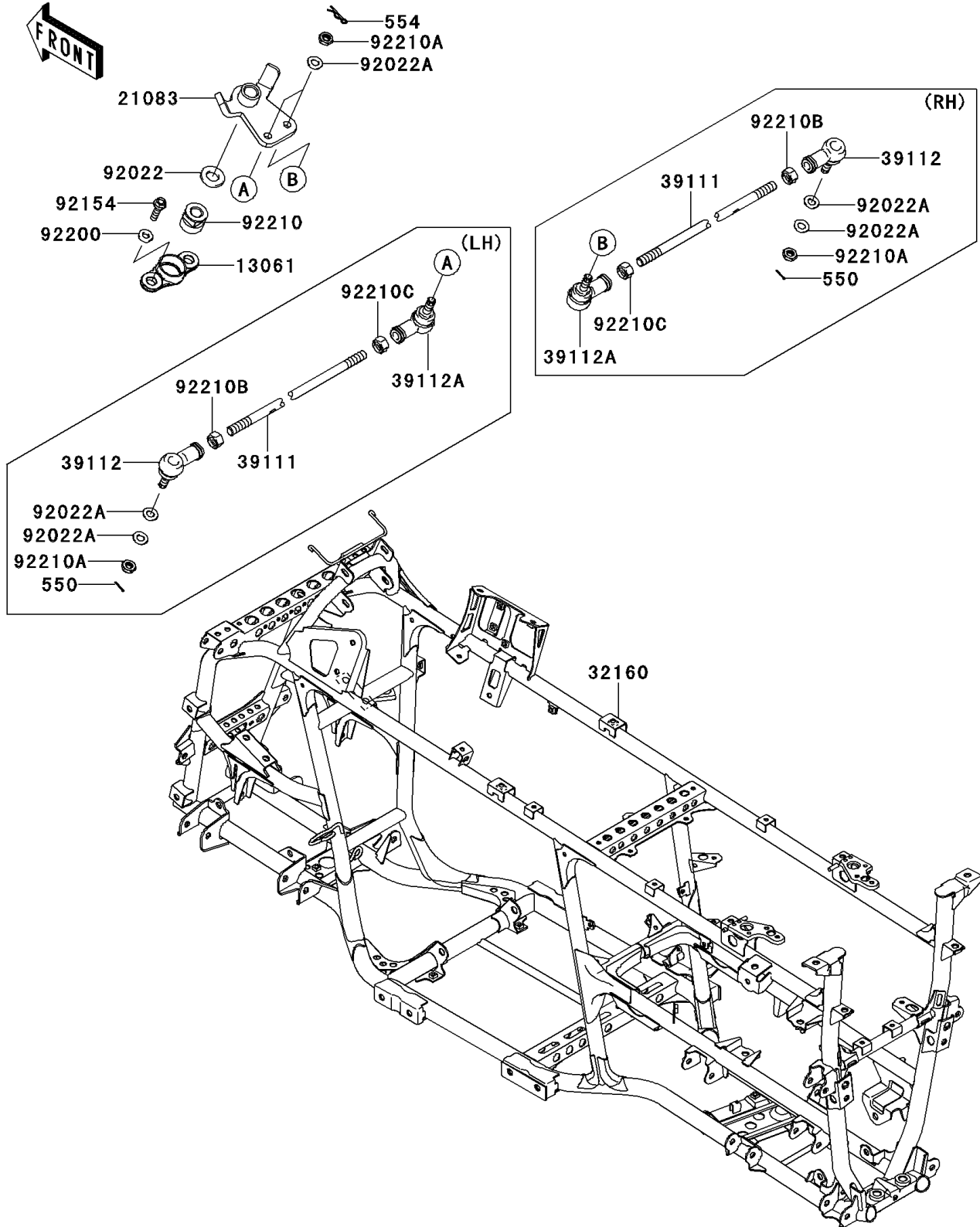


# 2014 BRUTE FORCE® 750 4x4i EPS PARTS DIAGRAM

Frame

F2120



## 2014 BRUTE FORCE® 750 4x4i EPS PARTS LIST

### Frame

| ITEM NAME                             | PART NUMBER | QUANTITY |
|---------------------------------------|-------------|----------|
| PIN-COTTER,2.0X15 (Ref # 550)         | 550AA2015   | 2        |
| PIN-SNAP,10MM (Ref # 554)             | 554DA1000   | 2        |
| BOSS,EPS STOPPER (Ref # 13061)        | 13061-0611  | 1        |
| ARM,PITMAN (Ref # 21083)              | 21083-0053  | 1        |
| FRAME-COMP (Ref # 32160)              | 32160-0528  | 1        |
| ROD-TIE (Ref # 39111)                 | 39111-0023  | 2        |
| RODEND-TIE,RIGHT HANDED (Ref # 39112) | 39112-0009  | 2        |
| RODEND-TIE,LEFT HANDED (Ref # 39112A) | 39112-0010  | 2        |
| WASHER,16X32X3.2 (Ref # 92022)        | 92022-1701  | 1        |
| WASHER,10.2X20X1.5 (Ref # 92022A)     | 92022-3742  | 6        |
| BOLT,FLANGED,8X30 (Ref # 92154)       | 92154-0850  | 2        |
| WASHER,8.2X20.0X2.5 (Ref # 92200)     | 92200-0205  | 2        |
| NUT,16MM (Ref # 92210)                | 92210-0751  | 1        |
| NUT,LOCK,10MM (Ref # 92210A)          | 92210-1184  | 4        |
| NUT,RIGHT HANDED (Ref # 92210B)       | 92210-1385  | 2        |
| NUT,LEFT HANDED (Ref # 92210C)        | 92210-1386  | 2        |